



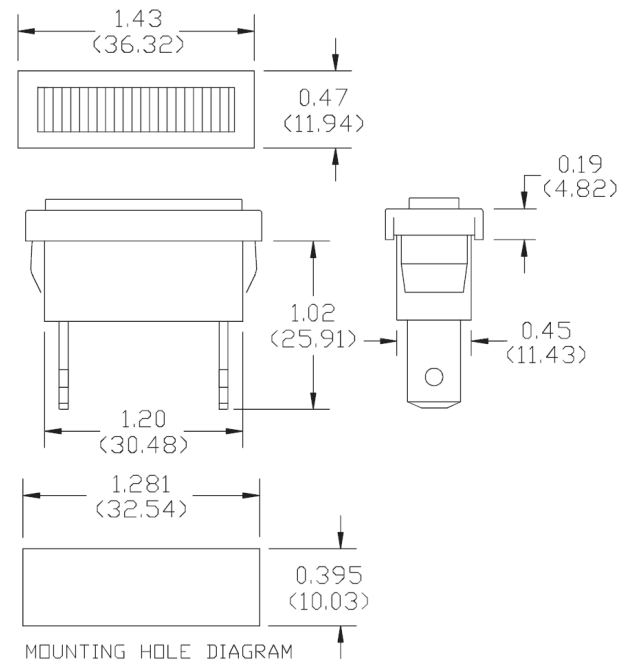
Simplex 4208 Replacement Rectangular Indicator Lights

Zinc plated bezel, white nylon housing, neon or incandescent lights

Overview

The Simplex 4208 replacement rectangular indicator lights quickly snap into the panel mounting holes for quick replacement.

- rectangular indicator lights for 1.281" x 0.395" (32.54mm x 10.03mm) mounting hole
- 0.250" (6.35mm) tab terminals
- incandescent indicator lights
- UL Listed
- UL File E20356
- Quick Disconnect Terminal: CE Certified



Dimensions in inches (mm)

Specifications

Housing: white nylon.

Bezel: zinc plated steel.

Lens: polycarbonate.

Terminals: 0.250" (6.35mm) tabs: brass, (.250" (6.35mm) length x 0.030" (.76mm) thick.



Simplex 4208 Replacement Rectangular Indicator Lights

Ordering Specifications

Part Number	Lens Color	Lamp Type	Design Volts	Design Watts or Amps	Life (hrs)
31G18-2111T	Red	Incandescent	28	.04A	7,000
31G18-2112T	Green	Incandescent	28	.04A	7,000
31G18-2113T	Amber	Incandescent	28	.04A	7,000
31G18-2115T	White	Incandescent	28	.04A	7,000

At Life Safety Consultants, we continually strive to improve our products to meet our customers needs and to provide the best possible value. The above specifications are believed to be correct, are subject to change without notice and may otherwise vary from the above. Please call if you need verification of any specifications or the suitability of a particular product for a particular application.