

UL, CSFM Listed;
MEA (NYC) Acceptance*

Fire Alarm Control Relays, Track Mount and Encapsulated; Model 4098-9843 and 2088 Series

Features

UL listed under Standard 864 as Control Unit Accessory (UOXX)

Track mount package availability:

- Single relay module or four relay module, with or without cover, with SPDT or DPDT contacts
- LED indicates relay module status
- Cover provide status LED viewing ports
- Multiple coil voltage inputs, diode polarized for DC
- Modules are track mounted with snap-apart feature design allowing the four relay module to be separated

Single encapsulated SPDT relay package with color coded 18 AWG wire leads, available in two versions:

- 2088-9021 (PAM-1) Provides diode polarized multiple input voltage ability and LED indication
- 4098-9843 (PAM-SD) Provides a diode polarized 24 VDC coil with in/out wiring

Description

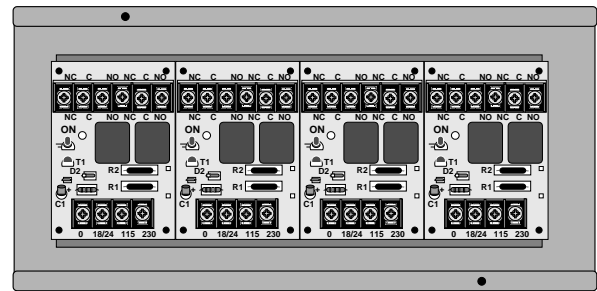
These multi-purpose control relays offer SPDT or DPDT, 10 A (or 7 A) contacts in a variety of mechanical packages. Models are available for coil operation by one of four input voltages allowing a single relay to be energized from a voltage source of 18-35 VDC or VAC, 120 VAC, or 230 VAC (not available with 4098-9843). Voltage selection is made by wiring to the appropriate input terminals or wire leads.

Each relay model (except model 4098-9843) contains a red LED which indicates that the relay is energized.

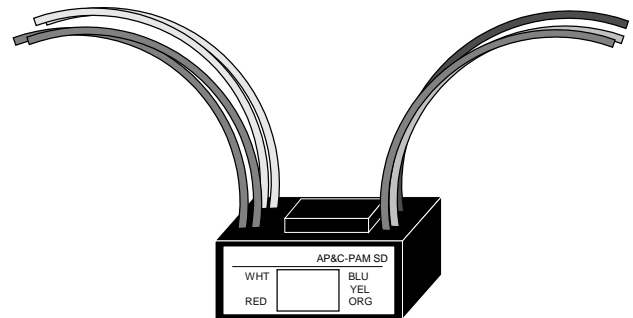
Mounting options are varied for application flexibility. Track mounted relays may be “snapped apart” from a standard four-module assembly and used independently if desired.

Specifications

Track Mount Relays , see page 2 for dimensions	
Coil Voltage	18-35 VAC/VDC, 120, or 230 VAC
Coil Current	SPDT models = 18 mA DPDT models = 40 mA
Terminal Blocks	Up to 14 AWG (2.08 mm ²)
Contact Ratings	10 A @ 120 VAC
	N.O. rated 1/6 HP, N.C. rated 1/8 HP
	7A @ 28 VDC and @ 230 VAC
Temperature Ratings	
UL Listed Range	32° F to 120° F (0° C to 49° C)
Humidity	85% RH Non-condensing



2088-9020, MR204/C, Four DPDT Relay Package with Enclosure (shown with cover removed)



Encapsulated Relay Package (typical of 2088-9021, PAM-1 and 4098-9843, PAM-SD)

Specifications Continued

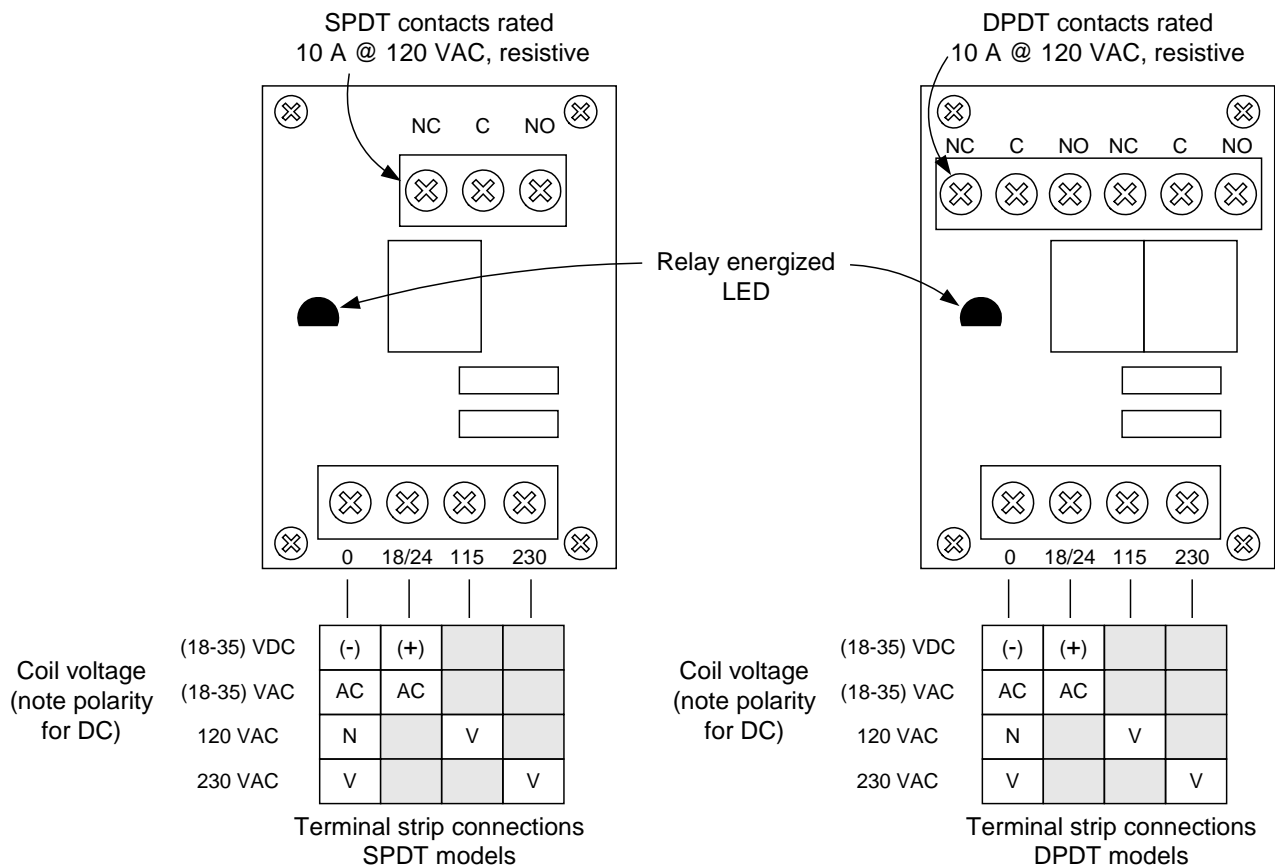
Encapsulated Relays , see page 2 for dimensions		
Connections	18 AWG (0.82 mm ²) color-coded wire leads	
Relay 2088-9021		
Contact Ratings	10 A @ 120 VAC, resistive	
Coil Ratings	Voltage	18-35 VAC/VDC, 120, or 240 VAC
	Current	15 mA @ 24 VAC/VDC, & @ 120 or 230 VAC
Relay 4098-9843		
Coil Ratings	18-32 VDC input, polarized, 15 mA @ 24 VDC	
Contact Ratings	7 A at 0.35 p.f @ 28 VDC & 120 VAC	
	250 µA @ 5 VDC	
Temperature Ratings		
UL Listed Range	32° F to 120° F (0° C to 49° C)	
Humidity	100% RH, condensing	

* Listings are under Apollo America Inc. per model numbers shown on page 2. See CSFM Listing 7300-1004:0101 for allowable values and/or conditions concerning material presented in this document.

Relay Selection Chart

Module Positions	Reference Number	Model Number	Relay Type	Packaging	Dimensions
One	2088-9007	MR-101/T	SPDT	Track mount, without cover	3-1/4" H x 2-1/8" W x 1-1/2" D (83 mm x 54 mm x 38 mm)
	2088-9009	MR-201/T	DPDT		
	2088-9008	MR-101/C	SPDT	Track mount with cover	5-1/8" H x 3-1/8" W x 2-1/2" D (131 mm x 79 mm x 64 mm)
	2088-9010	MR-201/C	DPDT		
Four	2088-9017	MR-104/T	SPDT	Track mount, without cover	3-1/4" H x 8-1/2" W x 1-1/2" D (83 mm x 216 mm x 38 mm)
	2088-9019	MR-204/T	DPDT		
	2088-9018	MR-104/C	SPDT	Track mount with cover	5-1/8" H x 9-1/2" W x 2-1/2" D (131 mm x 241 mm x 64 mm)
	2088-9020	MR-204/C	DPDT		
NA	2088-9021	PAM-1	SPDT	Encapsulated, multi-voltage coil, color coded 18 AWG (0.82 mm ²) wire leads, with coil status LED	1-1/2" H x 1" W x 7/8" D (38 mm x 25.4 mm x 22 mm)
	4098-9843	PAM-SD		Encapsulated, 24 VDC coil, color coded 18 AWG (0.82 mm ²) wire leads (no LED)	1-1/2" H x 1-3/16" W x 13/16" D (38 mm x 30 mm x 21 mm)

Track Mount Relay Wiring Reference



TYCO, SIMPLEX, and the product names listed in this material are marks and/or registered marks. Unauthorized use is strictly prohibited.



Tyco Fire Protection Products • Westminster, MA • 01441-0001 • USA
www.simplex-fire.com

S2088-0010-10 11/2014

© 2014 Tyco Fire Protection Products. All rights reserved. All specifications and other information shown were current as of document revision date and are subject to change without notice.