

Features

Dual point operation provides a supervised multi-state input and a relay output in a single package using only one address:

- Typical applications are for damper motor control with dual damper position feedback monitoring (open and closed)
- For use with Simplex® 4007ES, 4010ES, 4100ES, or 4100U Fire Alarm Control Panels providing IDNet communications (4100U requires software revision 11 or higher)

Input/Output details:

- Input operation is “T-Sense” and provides supervised monitoring of normally open, dry contacts
- Status conditions are Normal, Open Circuit (trouble condition), Current Limited (position input 1), and Short (position input 2)
- Total wiring distance to supervised contacts is up to 500 ft (152 m); for indoor wiring applications
- Low power latching relay design allows IDNet communications to supply both data and module power
- Relay is set to OFF on initial power up and upon loss of IDNet communications
- Form C relay output is rated 2 A @ 30 VDC, and 0.5 A @ 120 VAC (resistive ratings)

Compact, sealed construction:

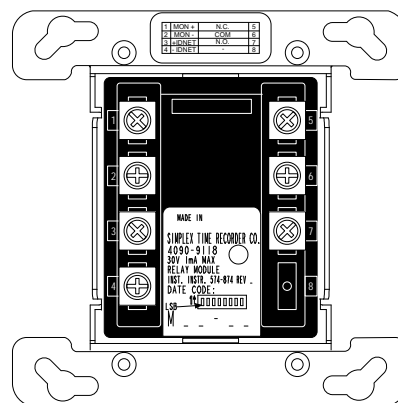
- Enclosed design minimizes dust infiltration
- Mounts in standard 4” square electrical box
- Visible LED flashes to indicate communications
- Screw terminals for wiring connections
- Optional covers are available to allow LED to be viewed after installation

UL Listed to Standard 864

Description

Single Address Dual Point Module. The 4090-9118 Relay IAM with T-Sense allows a compatible Simplex fire alarm control panel IDNet communication channel to monitor two input contact closures with one point and control an output relay with the other point, both from a compact module requiring a single address. Module power is supplied from the IDNet communications channel eliminating the need for separate power wiring.

Multi-Point Device Description. The input circuit and relay operation are controlled independently and may be disabled separately. Point association is determined at the host panel. At the host panel display, the device address is designated as a single hardware location (such as 1-1). The individual points are considered “sub-points” and are layered underneath (such as 1-1-1 and 1-1-2).



4090-9118 Relay IAM with T-Sense Input
(shown approximately 1/2 size)

T-Sensing Operation

Supervised Input. The 4090-9118 Relay IAM with T-Sense has a supervised input that monitors for continuity to an end-of-line resistor and can differentiate between a short circuit contact closure and a current limited contact closure.

Four State Operation. **Normal** is when all contacts are open and there is continuity to the end-of-line resistor; **Open** is when continuity does not exist to the end-of-line resistor, causing a Trouble condition; **Short**, indicates that a contact has closed that is directly connected to the input circuit; and **Current Limited** indicates that a contact has closed beyond a series connected current limiting resistor. This operation allows differentiation between two different contact types due to their wiring location, and reporting as a single IDNet addressable point to the fire alarm control panel.

Typical Applications

Efficient Package. For smoke control applications, this module provides an efficient package for fan damper control with position feedback. The monitor point can be connected to two separate status indicator switches allowing the host panel to track the fan damper status with respect to the requested fan control operation.

General Applications. The monitor and control points can be applied for a variety of associated or independent operations. Flexible programming abilities at the host panel can provide the association logic required for a wide variety of fire or utility operations.

* This product has been approved by the California State Fire Marshal (CSFM) pursuant to Section 13144.1 of the California Health and Safety Code. See CSFM Listing 7300-0026:311 for allowable values and/or conditions concerning material presented in this document. Accepted for use – City of New York Department of Buildings – MEA35-93E. Additional listings may be applicable; contact your local Simplex product supplier for the latest status. Listings and approvals under Simplex Time Recorder Co. are the property of Tyco Fire Protection Products.

Product Selection

Model	Description
4090-9118	Relay IAM with T-Sense

Optional Adapter and Trim Plates

Model	Description	
4090-9813	Adapter plate to fit 4 1 ¹ / ₁₆ " (119 mm) square electrical box	
4090-9801	For semi-flush mounted box	Trim Plate, galvanized steel, with LED viewing window; includes mounting screws
4090-9802	For surface mounted box	

End-of-Line Resistor Harnesses (ordered separately as required)

Model	Reference No.	Description
4081-9003	733-896	4.7 k Ω , 1/2 W
4081-9005	733-984	1.8 k Ω , 1/2 W

Use for current limited monitoring, refer to diagram below

T-Sense Input Operating Modes

Common Circuit Status Modes

Circuit Status	Device Status	Panel Display
Normal	Switches open	Normal
Open circuit	Wiring discontinuity	Trouble

Damper Position Monitoring Status Modes

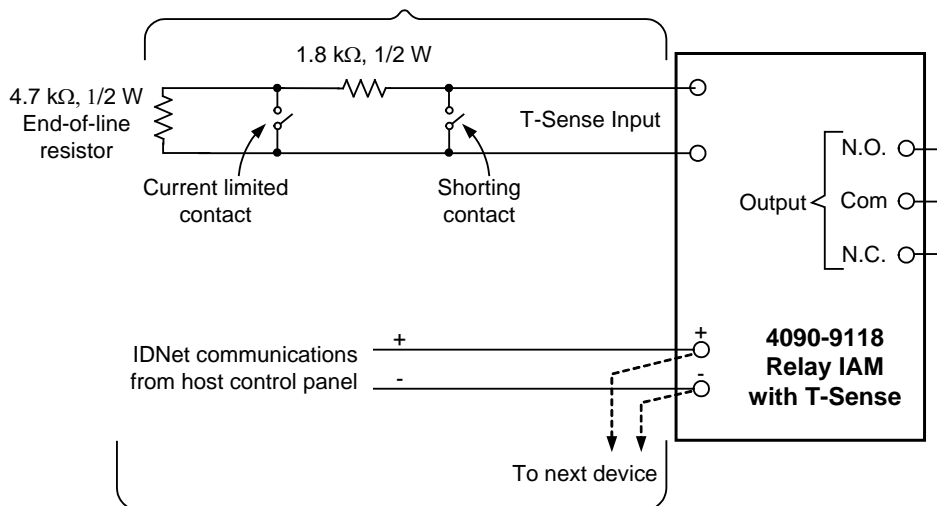
Circuit Status	Device Status	Typical Panel Display
Short	Switch A closed	Damper Closed
Current Limited	Switch B closed	Damper Open

Waterflow and Tamper Switch Monitoring Status Modes

Circuit Status	Device Status	Panel Display
Short	Waterflow switch closed	Fire Alarm
Current Limited	Tamper switch closed	Supervisory

Wiring Reference

Maximum distance to contacts is 500 ft (152 m) (input is for indoor wiring only)



For Fire Alarm applications, locate loads within 3 ft (1 m) of contacts

Power Limited Contact Ratings:

2 A @ 30 VDC, resistive loads
1 A @ 30 VDC, inductive loads

Non-Power Limited Contact Ratings:

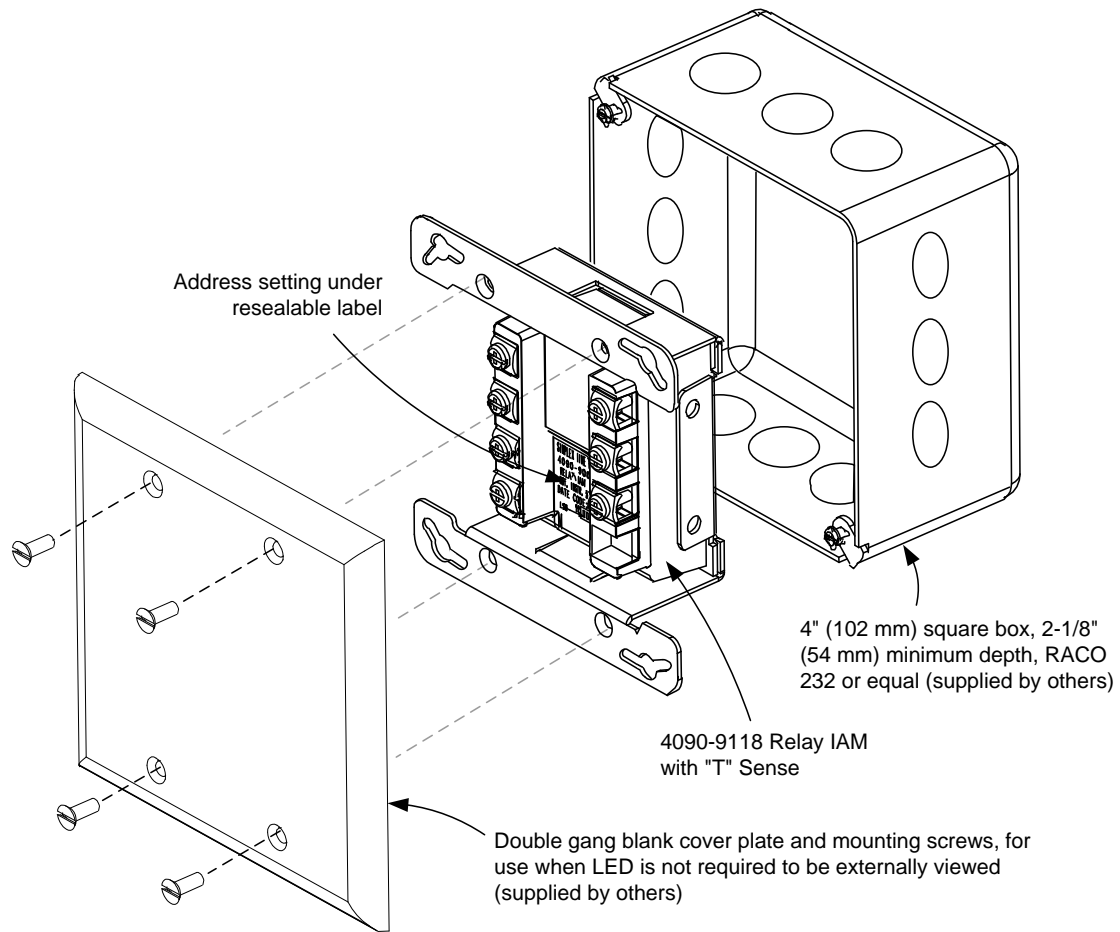
0.5 A @ 120 VAC, resistive loads
0.25 A @ 120 VAC, inductive loads
(refer to specifications for additional information)

IDNet Wiring Distances:

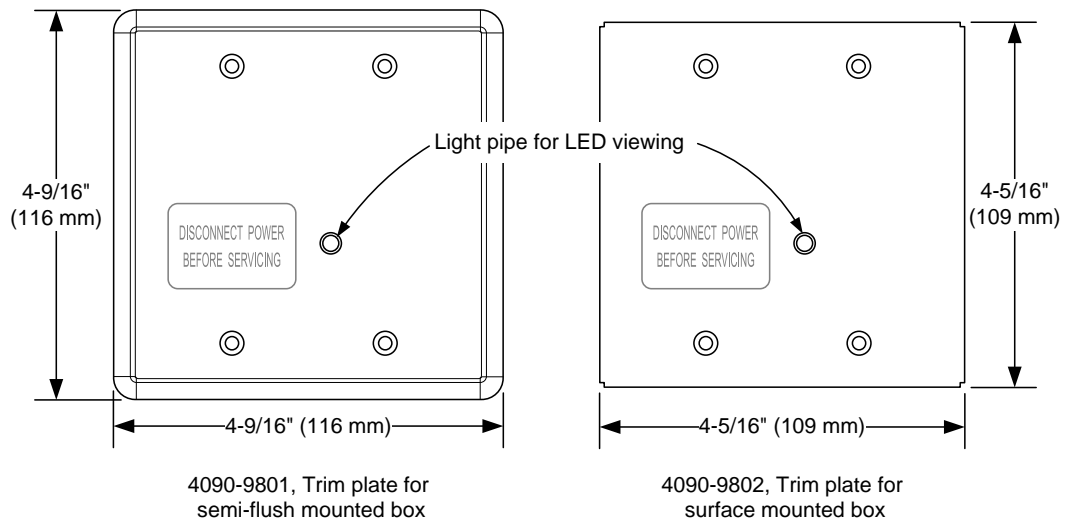
1. Up to 2500 ft (762 m) from host control panel.
2. Up to 10,000 ft (3048 m) total wiring distance, including "T" taps.

NOTE: Refer to Installation Instructions 574-874 for detailed installation information.

Mounting Information



Mounting Reference, Double Gang Blank Cover Plate



Optional Trim Plates for Visible LED

Specifications

Electrical

Communications	IDNet communications, one address		
Power	Consumes one unit load, power supplied from a compatible IDNet communications channel		
Point Allocation Reference	Point Type	TRIAM	
	I/O Point Usage per Panel	2; 1 for relay, 1 for input	
	Public Points Usage	up to 3; 1 for relay, 1 for input, 1 for trouble; for points mapped to the Fire Alarm Network	
Input Requirements	Normally open dry contacts		
	Up to 500 ft (152 m) total distance from Relay IAM		
	For indoor wiring applications only		
Input Supervision Resistors	Two required, refer to Installation Instructions 574-874 for additional information and wiring detail		
Wire Connections	Screw terminals for input and output wiring, 18 to 14 AWG wire (0.82 mm ² to 2.08 mm ²)		
Relay Contact Ratings* Form C (SPDT) (not rated for incandescent switching)	Power-Limited	2 A @ 30 VDC, resistive	from listed fire alarm supply
		1 A @ 30 VDC, inductive	
	Nonpower-Limited	0.5 A @ 120 VAC, resistive	
		0.25 A @ 120 VAC, inductive	
IDNet Wiring Distance Reference	Up to 2500 ft (762 m) from the fire alarm control panel		
	Up to 10,000 ft (3048 m) total Class B wiring distance including T-Taps		
	Compatible with 2081-9044 Overvoltage Protectors		

* Provide circuit fusing and transient suppression as required per application. DC inductive loads can typically be diode suppressed; 120 VAC loads may require RC networks or varistors, depending on device type. Refer to Installation Instructions 574-874 for additional information.

Mechanical

Dimensions	4-1/8" H x 4-1/8" W x 1-3/8" D (105 mm x 105 mm x 35 mm)
Package	Black thermoplastic housing on metal mounting plate
Temperature	32° to 120° F (0° to 49° C) indoor operation only
Humidity Range	10 to 90% RH at 90° F (32° C)
Installation Instructions	574-874

TYCO, SIMPLEX, and the product names listed in this material are marks and/or registered marks. Unauthorized use is strictly prohibited.



Tyco Fire Protection Products • Westminister, MA • 01441-0001 • USA
www.simplex-fire.com

S4090-0007-6 11/2014

© 2014 Tyco Fire Protection Products. All rights reserved. All specifications and other information shown were current as of document revision date and are subject to change without notice.