

Features

Dual point operation provides an unsupervised input and a relay output in a single package using only one address:

- Typical applications are for fan control with single unsupervised status feedback monitoring
- For use with Simplex® 4007ES, 4010ES, 4100ES, or 4100U Fire Alarm Control Panels providing IDNet communications (4100U requires software revision 11 or higher)

Input/Output details:

- Input provides unsupervised monitoring of normally open, dry contacts
- Total wiring distance to supervised contacts is up to 500 ft (152 m); for indoor wiring applications
- Low power latching relay design allows IDNet communications to supply both data and module power
- Relay is set to OFF on initial power up and upon loss of IDNet communications
- Form C relay output is rated 2 A @ 30 VDC, and 0.5 A @ 120 VAC (resistive ratings)

Compact, sealed construction:

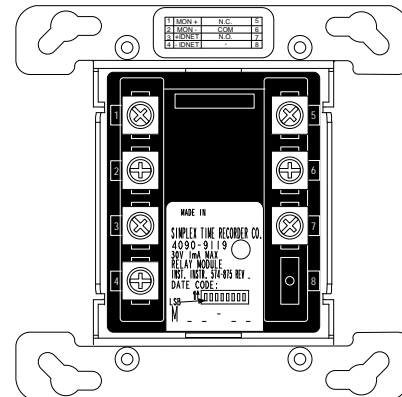
- Enclosed design minimizes dust infiltration
- Mounts in standard 4" square electrical box
- Visible LED flashes to indicate communications
- Screw terminals for wiring connections
- Optional covers are available to allow LED to be viewed after installation

UL Listed to Standard 864

Description

Single Address Dual Point Module. The 4090-9119 Relay IAM allows a compatible Simplex fire alarm control panel IDNet communications channel to monitor an unsupervised input contact closure with one point and control an output relay with the other point, both from a compact module requiring a single address. Module power is supplied from the IDNet communications channel eliminating the need for separate power wiring.

Multi-Point Device Description. The input circuit and relay operation are controlled independently and may be disabled separately. Point association is determined at the host panel. At the host panel display, the device address is designated as a single hardware location (such as 1-1). The individual points are considered "sub-points" and are layered underneath (such as 1-1-1 and 1-1-2).



4090-9119 Relay IAM with Unsupervised Input (shown approximately 1/2 size)

Product Selection

Model	Description
4090-9119	Relay IAM with Unsupervised Input

Optional Adapter and Trim Plates

Model	Description	
4090-9813	Adapter plate to fit 4 1/16" (119 mm) square electrical box	
4090-9801	For semi-flush mounted box	Optional trim plate with LED viewing window, includes mounting screws; galvanized steel
4090-9802	For surface mounted box	

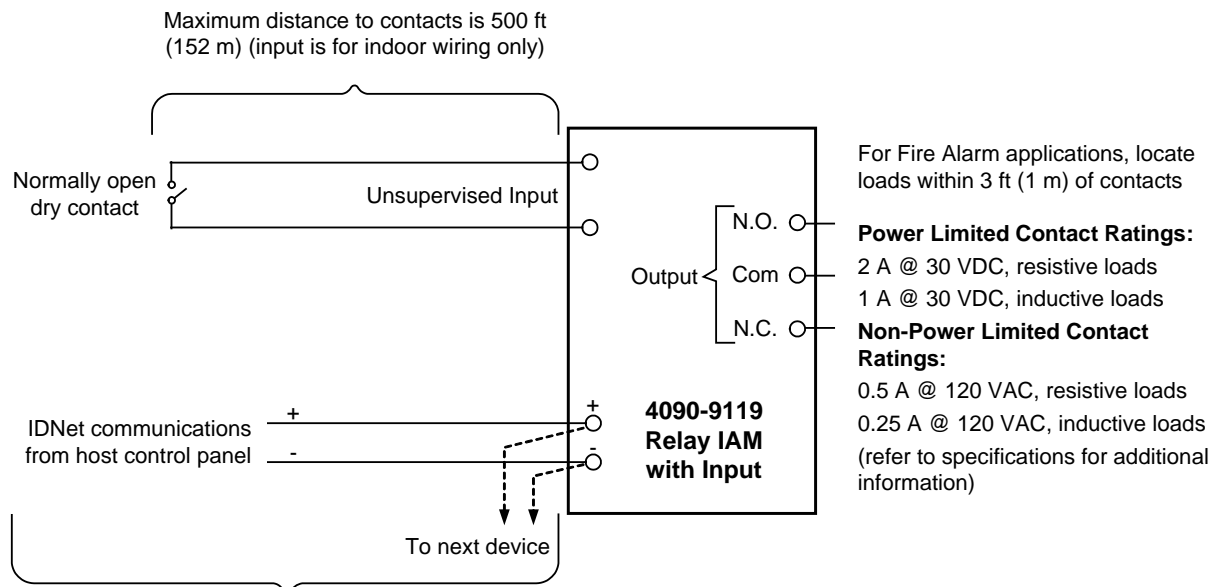
Typical Applications

Efficient Package. For smoke control applications, this module provides an efficient package for fan control with single status feedback. The monitor point provides feedback from a single set of unsupervised contacts (such as a sail switch or pressure switch) allowing the host panel to track the result of the requested relay control operation.

General Applications. The monitor and control points can be applied for a variety of associated or independent operations. Flexible programming abilities at the host panel can provide the association logic required for a wide variety of fire or utility operations.

* This product has been approved by the California State Fire Marshal (CSFM) pursuant to Section 13144.1 of the California Health and Safety Code. See CSFM Listing 7300-0026:311 for allowable values and/or conditions concerning material presented in this document. Accepted for use – City of New York Department of Buildings – MEA35-93E. Additional listings may be applicable; contact your local Simplex product supplier for the latest status. Listings and approvals under Simplex Time Recorder Co. are the property of Tyco Fire Protection Products.

Wiring Reference



IDNet Wiring Distances:

1. Up to 2500 ft (762 m) from host control panel.
2. Up to 10,000 ft (3048 m) total wiring distance, including "T" taps.

NOTE: Refer to Installation Instructions 574-875 for detailed installation information.

Specifications

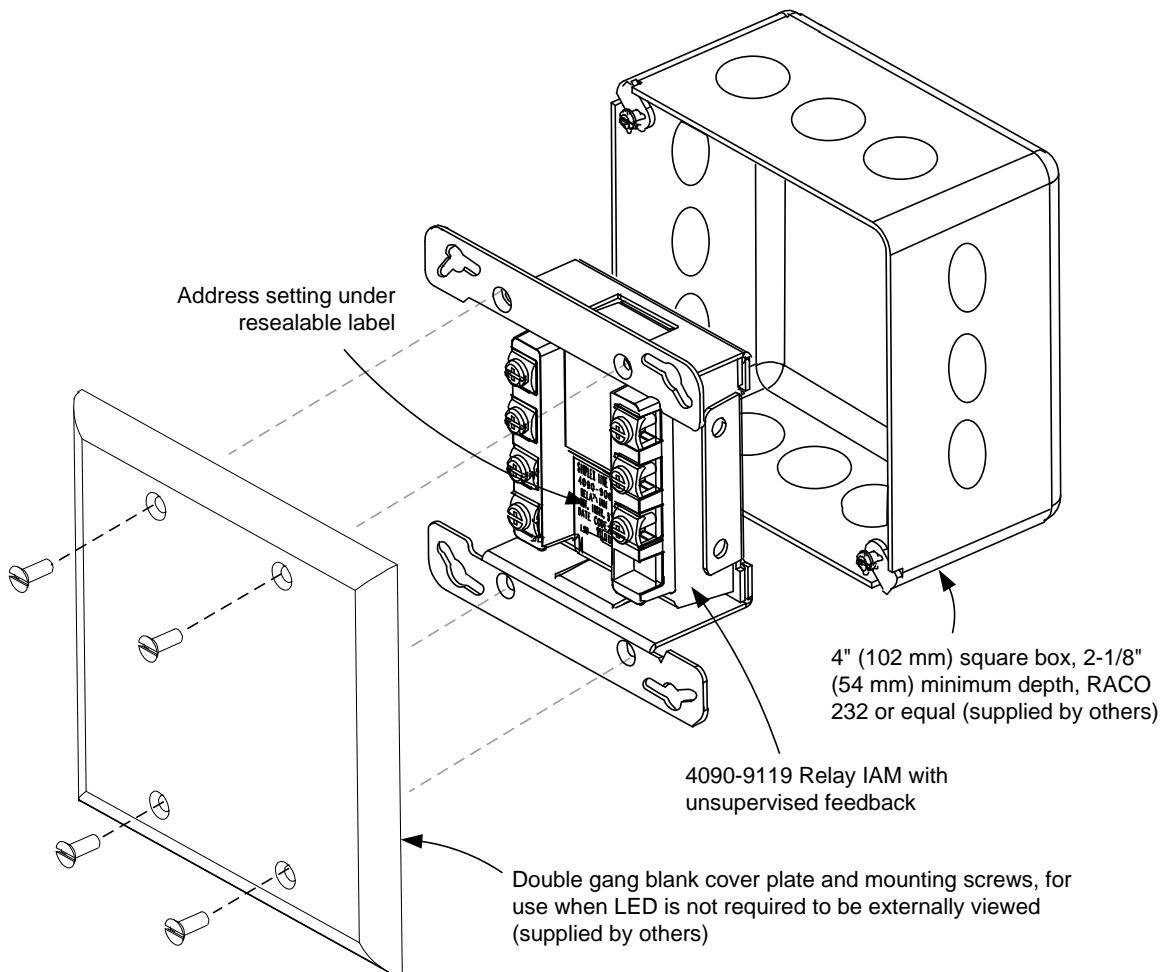
Electrical

Communications	IDNet communications, one address					
Power	Consumes one unit load, power supplied from IDNet communications					
Point Allocation Reference	Point Type: FRIAM					
	I/O Point Usage per Panel: 1 for relay					
	Public Points Usage: up to 3; 1 for relay, 1 for input, 1 for trouble; for points mapped to the Fire Alarm Network					
Input Requirements	Normally open dry contacts Up to 500 ft (152 m) total distance from Relay IAM For indoor wiring applications only					
Wire Connections	Screw terminals for input and output wiring, 18 to 14 AWG wire (0.82 mm ² to 2.08 mm ²)					
Relay Contact Ratings* Form C (SPDT) (not rated for incandescent switching)	<table border="1"> <tr> <td>Power-Limited</td> <td>2 A @ 30 VDC, resistive 1 A @ 30 VDC, inductive</td> <td rowspan="2">from listed fire alarm supply</td> </tr> <tr> <td>Nonpower-Limited</td> <td>0.5 A @ 120 VAC, resistive 0.25 A @ 120 VAC, inductive</td> </tr> </table>	Power-Limited	2 A @ 30 VDC, resistive 1 A @ 30 VDC, inductive	from listed fire alarm supply	Nonpower-Limited	0.5 A @ 120 VAC, resistive 0.25 A @ 120 VAC, inductive
Power-Limited	2 A @ 30 VDC, resistive 1 A @ 30 VDC, inductive	from listed fire alarm supply				
Nonpower-Limited	0.5 A @ 120 VAC, resistive 0.25 A @ 120 VAC, inductive					
IDNet Wiring Distance Reference	Up to 2500 ft (762 m) from the fire alarm control panel Up to 10,000 ft (3048 m) total Class B wiring distance including T-Taps Compatible with 2081-9044 Overvoltage Protectors					

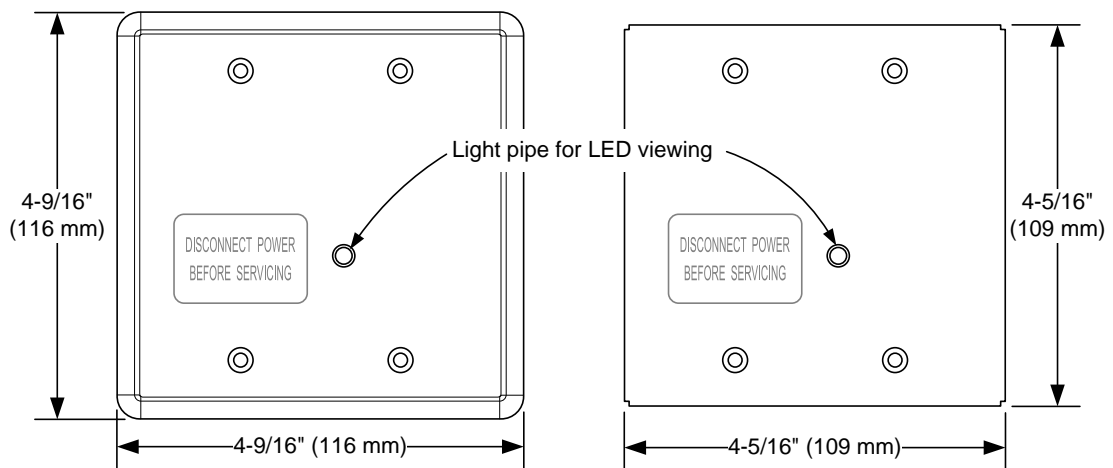
Mechanical

Dimensions	4-1/8" H x 4-1/8" W x 1-3/8" D (105 mm x 105 mm x 35 mm)
Package	Black thermoplastic housing on metal mounting plate
Temperature	32° to 120° F (0° to 49° C) indoor operation only
Humidity Range	10 to 90% RH at 90° F (32° C)
Installation Instructions	579-875

Mounting Information



Mounting Reference, Double Gang Blank Cover Plate



Optional Trim Plates for Visible LED

TYCO, SIMPLEX, and the product names listed in this material are marks and/or registered marks. Unauthorized use is strictly prohibited.



Tyco Fire Protection Products • Westminster, MA • 01441-0001 • USA
www.simplex-fire.com

S4090-0008-6 11/2014

© 2014 Tyco Fire Protection Products. All rights reserved. All specifications and other information shown were current as of document revision date and are subject to change without notice.