

Features

Compatible Simplex® TrueAlarm sensors and bases (ordered separately):

- 4098-9714, Photoelectric sensor
- 4098-9754, Multi-Sensor, Photoelectric and Heat
- 4098-9733, Heat Sensor
- 4098-9792, Standard Sensor Base
- 4098-9791, Relay Control Base
- 4098-9789, LED Output Base
- 4098-9793, IDNet Isolator Base

General features:

- For ceiling or wall mounted sensor applications
- Combines accurate, individually addressable analog smoke and/or heat sensing with physical protection
- TrueAlarm analog sensing provides compensation for air flow restriction by providing maintained high sensitivity
- Photoelectric smoke sensitivity is selectable from 0.5 to 1.5%/ft at the fire alarm control panel
- The host control panel automatically compensates for sensitivity shifts caused by contamination and automatically reports dirty devices
- UL listed to Standard 268 (URRQ) and 521 (UQKE)
- ULC listed to Standard S529 (URRQC) and S530 (UQKEC)

Mounting options:

- Standard mounting of 4098-9846 is for use with flush mounted electrical boxes
- Extension box 4098-9847 is required for mounting to surface mounted electrical box

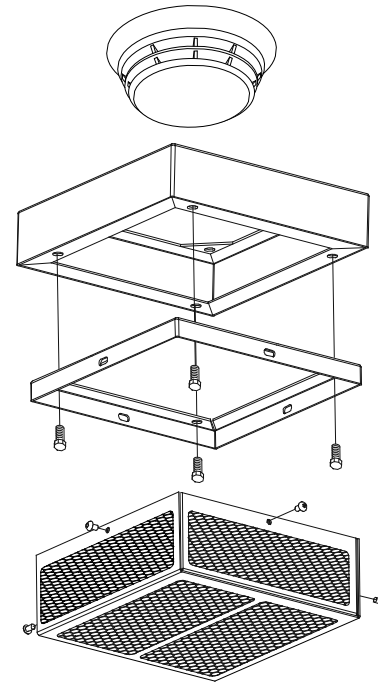
Tamper resistant design:

- Heavy duty steel construction, single wall
- Tamper resistant grill mounting screws

Description

Sensor Guard 4098-9846 combines the sensitivity and maintained accuracy of Simplex TrueAlarm sensors with a rugged, tamper resistant enclosure. Typical applications are: Correctional/Detention facilities, Mental Hospitals, Industrial areas, Educational facilities, Dormitories, and many other locations where the smoke sensor may be intentionally or accidentally subjected to abuse.

Location Reference. With this combination, the sensor can be located directly in the ceiling of a detention cell or similar area and can provide accurate and quick sensing of smoke and/or heat conditions. Additionally, after removing the tamper resistant hardware, the sensor is readily accessible for cleaning when the TrueAlarm system automatically identifies the need for maintenance.



4098-9846 TrueAlarm Sensor Guard Mounting Reference (ceiling mount shown with optional surface mount extension, see page 2 for details)

Specifications

Dimensions	Refer to page 2
Grill Material	Single wall construction, 22 gauge steel (0.025" thick, 0.64 mm)
Perforation Pattern	1/4" (6.4 mm) hex holes staggered on 1/4" (6.4 mm) centers, reinforced at corners
Color/Finish	Tan, baked enamel
Mounting Frame Hardware	Bolts, 1/4", see page 2
Grill Mounting Screws	Four tamper resistant screws, recessed hex head, supplied with guard
Screw Removal Tool	4098-9823 Secure Hex Key, ordered separately

Additional Reference:

Product	Data Sheet
TrueAlarm Sensors and Bases	S4098-0019
Multi-Sensor 4098-9754	S4098-0024
TrueAlarm IDNet Isolator Base	S4098-0025
Sensor Guard for flush mounted electrical box, ceiling mount only	S4098-0027

* This product has been approved by the California State Fire Marshal (CSFM) pursuant to Section 13144.1 of the California Health and Safety Code. See CSFM Listing 7300-0026:244 for allowable values and/or conditions concerning material presented in this document. It is subject to re-examination, revision, and possible cancellation. This product was not approved by FM as of document revision date. Additional listings may be applicable; contact your local Simplex product supplier for the latest status. Listings and approvals under Simplex Time Recorder Co. are the property of Tyco Fire Protection Products.

Mounting Information – IMPORTANT – See Warning and Installation Notes Below

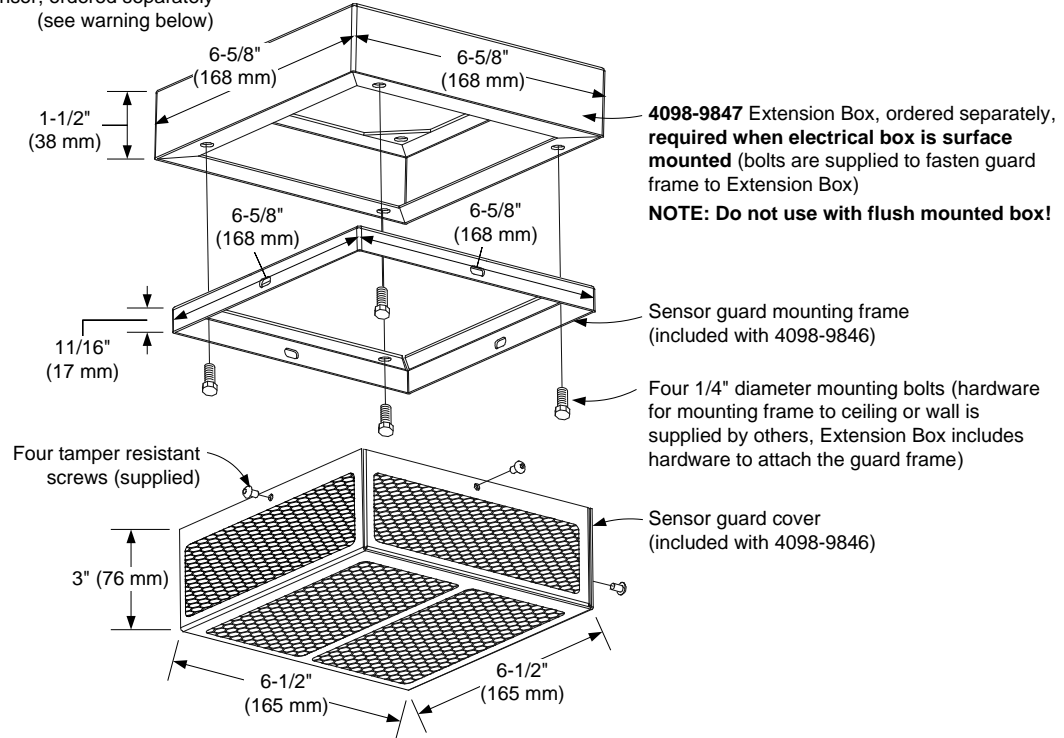
Electrical box, 4" square or 4" octagonal (supplied by others), see installation notes below for additional box information

Seal box using 3M Weatherban #606 or equal

4098-9714 Photoelectric Sensor, **4098-9754** Multi-Sensor, or **4098-9733** Heat Sensor, ordered separately (see warning below)

4098-9832 Adapter Plate, ordered separately, required when electrical box is surface mounted

Sensor base 4098-9789, 4098-9791, 4098-9792, or 4098-9793, ordered separately, see installation notes for additional information



4098-9847 Extension Box, ordered separately, required when electrical box is surface mounted (bolts are supplied to fasten guard frame to Extension Box)

NOTE: Do not use with flush mounted box!

Sensor guard mounting frame (included with 4098-9846)

Four 1/4" diameter mounting bolts (hardware for mounting frame to ceiling or wall is supplied by others, Extension Box includes hardware to attach the guard frame)

Sensor guard cover (included with 4098-9846)

Four tamper resistant screws (supplied)

WARNING !

Per NFPA 72, the *National Fire Alarm and Signaling Code*, Section 5.4.3 (2007 Edition): "Where subject to mechanical damage, an initiating device shall be protected. A mechanical guard used to protect a smoke, heat, or radiant energy-sensing detector shall be listed for use with the detector." **Sensor guard 4098-9846 is for use only with a Simplex 4098-9714 Photoelectric Sensor or a 4098-9754 Photo/Heat Sensor with a restricted sensitivity range of 0.5 to 1.5% per foot obscuration; or with a 4098-9733 Heat Sensor; and for use only with sensor bases 4098-9789, 4098-9791, 4098-9792, or 4098-9793.** This will ensure the sensor will activate within the UL listed obscuration range when mounted in the sensor guard.

PLEASE NOTE: For proper performance, follow installation instructions and review sensor and guard locations carefully. Wall mounting may not be appropriate for institutional or detention applications.

Maintenance Issue. The presence of debris on the sensor guard grill will significantly restrict airflow into the sensor. It is recommended that increased visual maintenance be performed to ensure proper operation.

Installation Notes

1. For additional information, refer to Installation Instructions 579-116.
2. Ceiling mount is shown above for reference, if appropriate, installations can be wall mounted.
3. Flush mounted electrical box must be flush to surface or recessed **no more than 1/4"** (6.4 mm). Select box depth to accommodate selected base options.
4. For surface electrical box mounting only, Extension Box 4098-9847 and Adapter Plate 4098-9832 are **both required** (ordered separately). Electrical box must be 1-1/2" deep. **NOTE: Do not use Extension Box 4098-9847 with FLUSH mounted electrical boxes, sensor will not be properly positioned.**
5. Installation to wall or ceiling requires solid anchoring, use 1/4" bolts (by others). Hardware is included with the 4098-9847 Extension Box for mounting the sensor guard frame.

TYCO, SIMPLEX, and the product names listed in this material are marks and/or registered marks. Unauthorized use is strictly prohibited. NFPA 72 and National Fire Alarm Code are trademarks of the National Fire Protection Association (NFPA). Weatherban and 3M are trademarks of the Minnesota Mining and Manufacturing company (3M).



Tyco Fire Protection Products • Westminister, MA • 01441-0001 • USA
www.simplexgrinnell.com

S4098-0035-4 10/2012

© 2012 Tyco Fire Protection Products. All rights reserved. All specifications and other information shown were current as of document revision date and are subject to change without notice.