

Features

Remote LED/Switch annunciator for the Simplex® 4006 and 4008 fire alarm control panels with:

- 16 LEDs with functions programmable at the host panel to indicate specific system conditions and locations (Alarm, Supervisory, Trouble, etc.)
- Dedicated LEDs that indicate Alarm Silence, Trouble, Communication Loss, and Power-on
- Local tone-alert audible indicator

Keyswitch access control switches provide:

- Event Acknowledge, Alarm Silence, System Reset, and local Lamp Test

Programmable LED options:

- 10 Red LEDs to indicate Alarm conditions by programmable area
- 6 Yellow LEDs to indicate Trouble conditions
- Custom label inserts describe LED functions

Wiring requirements:

- Twisted pair for communications
- 24 VDC system power via separate wiring

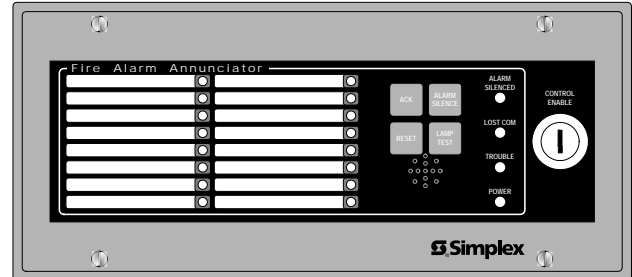
Mounting options:

- Red surface mount box model 2975-9228 (ordered separately)
- Flush mount uses standard 5-gang electrical boxes

UL Listed to Standard 864, 9th Edition

Description

Remote LED Annunciation. Simplex 4610-9111 LED/Switch Annunciators provide remote fire alarm system status and control with 16 programmable LEDs to provide location specific information. Keyswitch controlled access allows pushbutton switches to activate Acknowledge, Alarm Silence, system Reset, or local Lamp (LED) Test. Label inserts allow custom LED specifics to be identified.



4610-9111 LED/Switch Annunciator

Description (Continued)

Dedicated LEDs and Remote Switch Control.

LEDs indicate Alarm Silenced, Communications Loss with panel, Trouble, and local Power-on, along with a local tone-alert audible indication. Activating the Acknowledge push-button switch silences the system tone-alerts, but leaves the LEDs on until all conditions in that category are restored to normal. LED operation (continuous or pulsing) is programmed at the control panel.

Multiple System Annunciators. Annunciator communications for these panels can include up to four devices, including the LED/Switch Annunciator; an LCD Remote Annunciator, and the optional host panel door-mounted LED Annunciator.

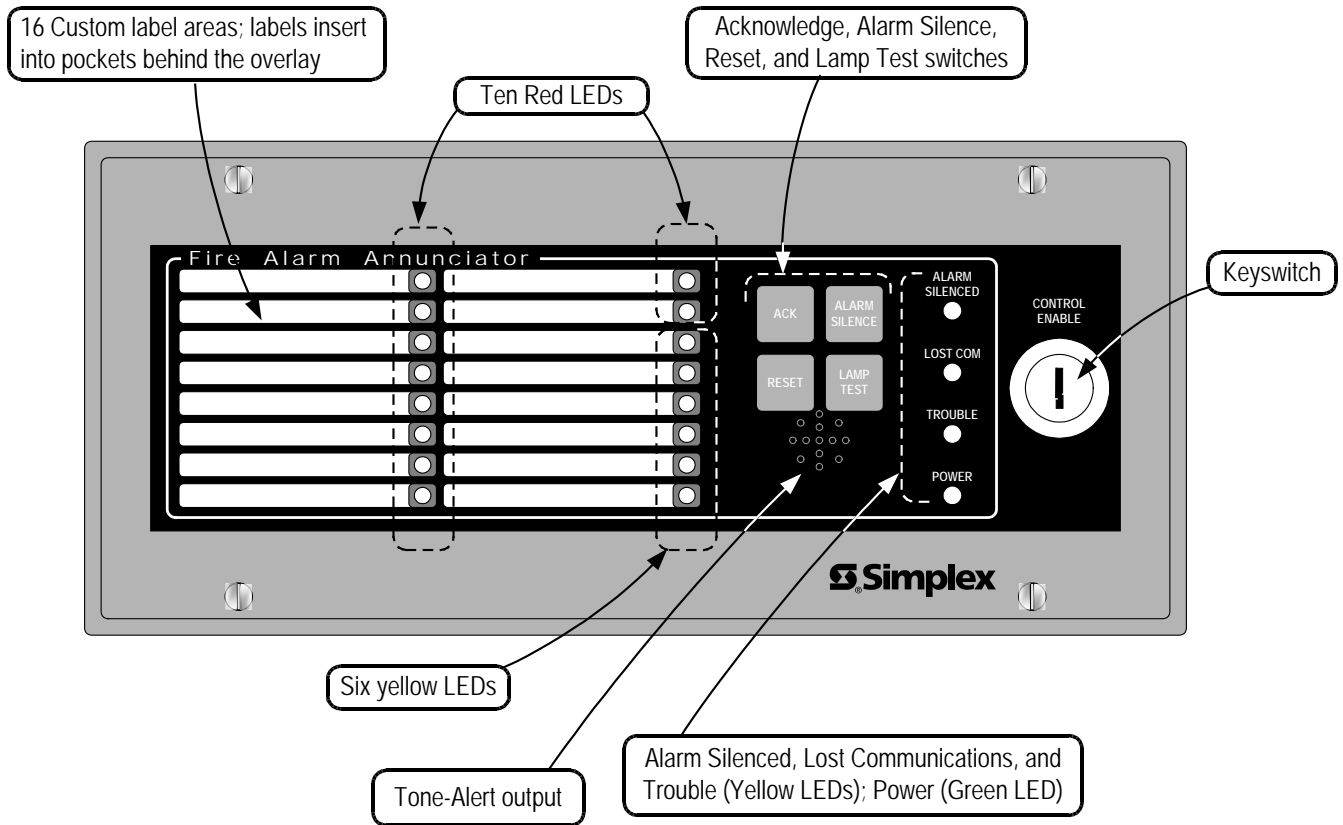
Additional Information. Refer to LED/Switch Annunciator Installation Instructions 579-710 and to the host panel instructions.

Product Selection

Model	Description
4610-9111	LED/Switch Annunciator, red trim
2975-9228	Matching surface mount box; red; 10" W x 4-1/2" H x 2-1/2" D (254 mm x 114 mm x 64 mm)
4081-9011	Line matching resistor; 100 Ω, 1/2 W; (part number 733-974); see specifications on page 3 for location and quantity
2081-9044	Overvoltage protector; required where annunciator communications and power wiring exits and enters a building; refer to data sheet S2081-0016 for details

* This product has been approved by the California State Fire Marshal (CSFM) pursuant to Section 13144.1 of the California Health and Safety Code. See CSFM Listing 7300-0026:319 for allowable values and/or conditions concerning material presented in this document. It is subject to re-examination, revision, and possible cancellation. This product was not approved by MEA (NYC) as of document revision date. Additional listings may be applicable, contact your local Simplex product supplier for the latest status. Listings and approvals under Simplex Time Recorder Co. are the property of Tyco Safety Products Westminster.

Annunciator Detail View



Specifications

General Specifications

Voltage	18 to 33 VDC, system supplied
Standby Current	40 mA
Alarm Current	70 mA maximum (all LEDs and tone-alert on)
Operating Temperature Range	32° to 120° F (0° to 49° C)
Operating Humidity Range	Up to 93% RH, non-condensing at 100° F (38° C)

Annunciator Communications

Quantity Supported	Up to four annunciator modules per panel		
Wiring Type	Twisted pair, or twisted, shielded pair; 18 AWG (0.82 mm ²)		
Distance	Bus-style wiring	Up to 4000 ft (1219 m); 0.58 µF (580 nF) maximum capacitance; 35 Ω maximum resistance	
	"T-Tap" wiring	Up to 10,000 ft (3048 m) total wiring; up to 2500 ft (762 m) to farthest device	
Line Matching Resistor	Bus-style wiring	Connect one at panel and one at end of line	100 Ω, 1/2 W; PID 4081-9011; (part number 733-974)
	"T-Tap" wiring	Connect one at panel and one at farthest device	
Suppression for wiring external to building	Use 2081-9044 Overvoltage Protectors where wiring leaves and enters a building (refer to data sheet S2081-0016)		
Power Wiring	24 VDC system power and Earth ground for electrical box (ground per local code)		
Wiring Connections	Provisions for in/out wiring; 18 to 12 AWG (0.82 mm ² to 3.31 mm ²)		

Mounting Information (see diagram on page 4)

Trim Dimensions	10" W x 4-1/2" H (254 mm x 114 mm)
Trim Material	Painted steel, red
Boxes for Flush Mounting (supplied by others)	Standard 5-gang boxes with conduit entrance restrictions, refer to installation information on page 4

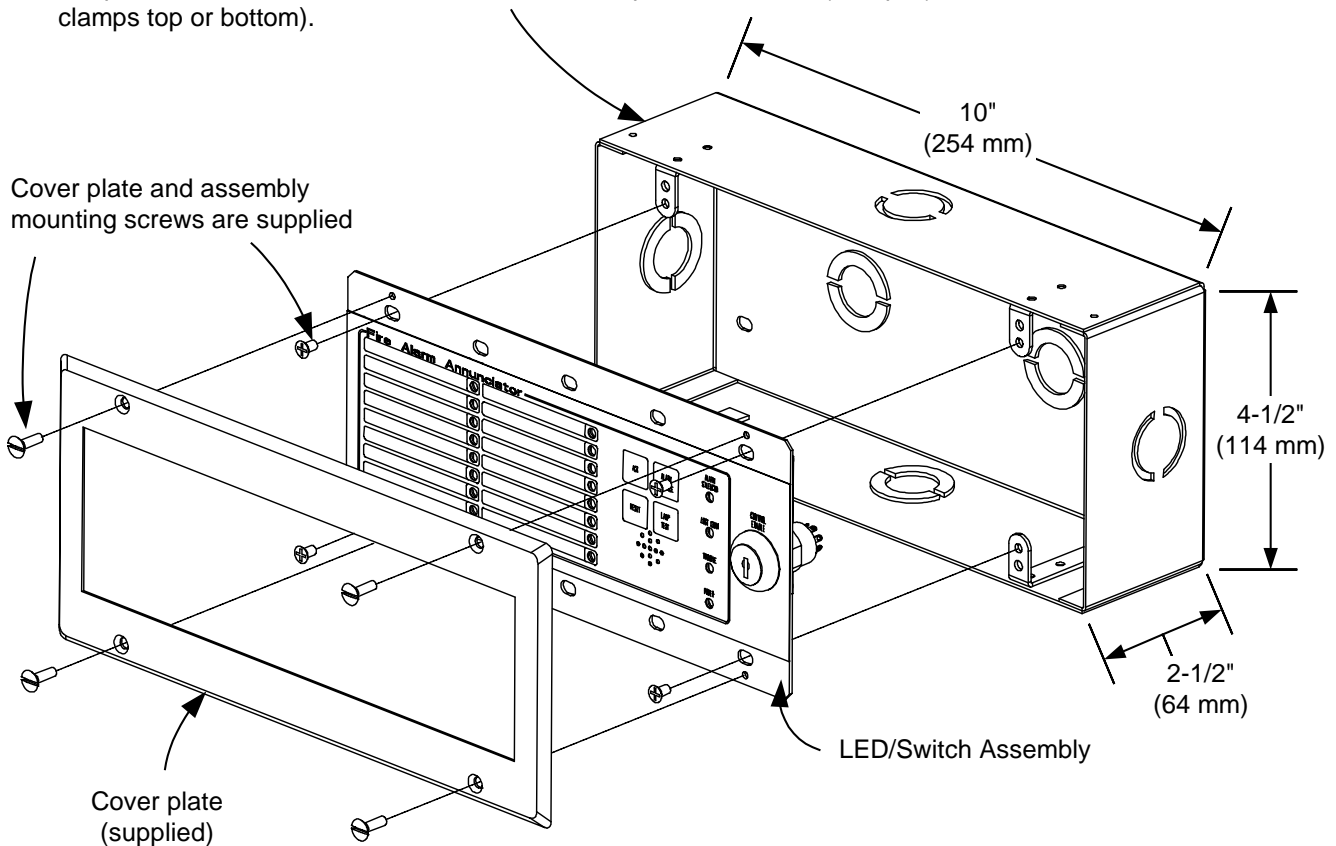
2975-9228 Matching Surface Mount Box (ordered separately)

Dimensions	10" W x 4-1/2" H x 2-1/2" D (254 mm x 114 mm x 64 mm)
Material	Painted steel, red

Mounting Information

Compatible Mounting Boxes:

1. Matching surface mount box (shown), ordered separately.
2. For **flush-mount**, use **5 gang** boxes per below. **NOTE:** To avoid interference with the annunciator, use only conduit knockouts that are 2-1/2" (64 mm) from front of box or as noted below.
3. For masonry box, use RACO 699 (or equal), 3-1/2" (89 mm) deep.
4. For plasterboard walls, use RACO 590, 3-1/2" deep; or RACO 600 (or equal); use side knockouts or cable clamps top or bottom).



Tyco, Simplex, and the Simplex logo are trademarks of Tyco International Services AG or its affiliates in the U.S. and/or other countries. Wiremold is a trademark of The Wiremold Company.