

Features

Wall mount audible/visible notification appliances with efficient piezoelectric horn and high output xenon strobe for 4-wire control applications

Xenon strobe visible notification appliance:

- 24 VDC operation with switch selection for free-run or synchronized flash rate
- Models available with 15, 75, or 110 candela
- UL listed to Standard 1971
- Compatible with ADA requirements (refer to important installation information on page 4)
- Strobe candela rating is clearly indicated on reflector

Electronic horn audible notification appliance:

- Low current operation (25 mA @ 24 VDC)
- Harmonically rich output sound suitable for either coded or steady operation
- UL listed to Standard 464

Available housing colors:

- Red cover with white "FIRE" lettering
- White cover with red "FIRE" lettering

Flexible, easy, and convenient semi-flush or surface wall mounting:

- Easily mounts to single gang, double gang, or 4-inch square outlet box
- Optional mounting adapters are available to cover surface mounted electrical boxes and to adapt to Simplex® 2975-9145 boxes
- Diode polarized inputs for connection to reverse polarity, supervised notification appliance circuit (NAC)
- In/out wiring terminals for 18 AWG to 12 AWG, accessible from front of housing, providing easy access for installation, inspection and testing
- Rear of housing assembly does not extend into box
- Rugged, high impact, flame retardant thermoplastic housing with optional covers available to convert housing color
- Optional UL listed red wire guard is available for semi-flush or surface mounting



TrueAlert Non-Addressable A/V Notification Appliances are available in Red with White Lettering and White with Red Lettering

Description

TrueAlert non-addressable audible and visible notification. For applications requiring audible/visible (A/V) notification with horn tones, these Simplex 4903 series appliances combine a high intensity strobe with a low current electronic horn in a compact package that is easy and quick to install. Each appliance can be controlled independently from each other using conventional reverse polarity NACs.

Multiple models with flexible mounting choices. These 4-wire operation A/V appliances are available with three strobe intensity levels (15, 75, or 110 cd) and with red or off-white housings. Mounting can be semi-flush or surface mount on a standard single or double gang, or 4" square (102 mm) electrical box. Optional accessories are available to increase mounting and application flexibility.

Strobe Selection

Proper selection of visible notification is dependent on occupancy, location, local codes, and proper applications of: the *National Fire Alarm Code* (NFPA 72); ANSI A117.1; the appropriate model building code, BOCA, ICBO, or SBCCI, and the application guidelines of the Americans with Disabilities Act (ADA).

* This product has been approved by the California State Fire Marshal (CSFM) pursuant to Section 13144.1 of the California Health and Safety Code. See CSFM Listing 7125-0026:239 for allowable values and/or conditions concerning material presented in this document. Accepted for use – City of New York Department of Buildings – MEA35-93E. This product was not ULC listed as of document revision date. Additional listings may be applicable; contact your local Simplex product supplier for the latest status. Listings and approvals under Simplex Time Recorder Co. are the property of Tyco Fire Protection Products.

Strobe Operation

TrueAlert non-addressable A/V strobes can be set for free-run operation or synchronized operation using an on-board selection switch. When selected for *synchronized operation*, flash operation is controlled from:

- **Synchronized Flash Modules**, 4905-9914 (Class B) or 4905-9922 (Class A)
- **4006, 4007ES Hybrid, 4008, 4010, 4010ES, 4100ES, and 4100U Fire Alarm Control Panels** (refer to individual product data sheets for details)
- **4009 IDNet NAC Extender**, models 4009-9201 and 4009-9301 (refer to data sheet S4009-0002)

Horn Operation

TrueAlert non-addressable A/V horns provide an audible notification output that is a loud and penetrating, harmonically rich sound capable of a continuous or coded output per the controlling NAC's capabilities.

Product Selection

Audible/Visible Notification Appliances (Horn/Strobe)

Model	Visible Notification Appliance Output			Housing Color
	15 cd	75 cd	110 cd	
4903-9425	✓			Red with white "FIRE" lettering
4903-9426		✓		
4903-9427			✓	
4903-9431	✓			White with red "FIRE" lettering
4903-9432		✓		
4903-9433			✓	

Adapters

Model	Description	Dimensions
4905-9937	Surface mount red adapter skirt	Use to cover 1-1/2" deep surface mounted boxes 5-3/8" H x 5-1/4" W x 1-5/8" D (136 mm x 133 mm x 41 mm) Total depth with strobe = 4-3/8" (111 mm)
4905-9940	Surface mount white adapter skirt	
4905-9931	Red adapter plate, for mounting to Simplex 2975-9145 box (typically for retrofit, may be mounted vertical or horizontal)	8-5/16" x 5-3/4" x 0.060" Thick (211 mm x 146 mm x 1.5 mm)
2975-9145	Red mounting box, requires 4905-9931 adapter plate	7-7/8" x 5-1/8" x 2-3/4" Deep (130 mm x 200 mm x 70 mm)

Synchronized Flash Control Modules

Model	Description	Dimensions
4905-9914	Synchronized Flash Module, Class B operation	Epoxy encapsulated with in/out 18 AWG wire leads, rated for 2 A NAC, requires 10 mA for power 1-3/8" W x 2-7/16" L x 13/16" H (35 mm x 62 mm x 20 mm)
4905-9922	Synchronized Flash Module, Class A operation	

Optional Covers and Guard

Model	Description	Dimensions
4905-9994	Red cover with white "FIRE" lettering	5-1/8" H x 5" W x 1-1/2" D (130 mm x 127 mm x 38 mm)
4905-9995	White cover with red "FIRE" lettering	
4905-9961*	Wire guard with mounting plate, red, compatible with surface or semi-flush mounted boxes	6-1/16" H x 6-1/16" W x 3-1/8" D (154 mm x 154 mm x 79 mm)

* UL listed by Space Age Electronics Inc.

Specifications

General Specifications

Housing Dimensions (including lens)	5-1/8" H x 5" W x 2-3/4" D (130 mm x 127 mm x 70 mm)
Temperature Range	32° to 122° F (0° to 50° C)
Humidity Range	10% to 93%, non-condensing at 100° F (38° C)
Connections	Terminal blocks for 18 AWG to 12 AWG (0.82 mm ² to 3.31 mm ²); two wires per terminal for in/out wiring

Strobe Specifications

Rated Voltage Range	UL Listed Range	Regulated 24 VDC; see Note 1 below		
Flash Rate and Synchronized NAC Loading	1 Hz; with up to 35 synchronized strobes maximum per NAC			
Maximum RMS Current Rating per Strobe Output (see Note 2 below)		15 cd	75 cd	110 cd
		76 mA	192 mA	227 mA
Reference Currents at other voltages	18 VDC	68 mA	171 mA	202 mA
	24 VDC	51 mA	128 mA	151 mA

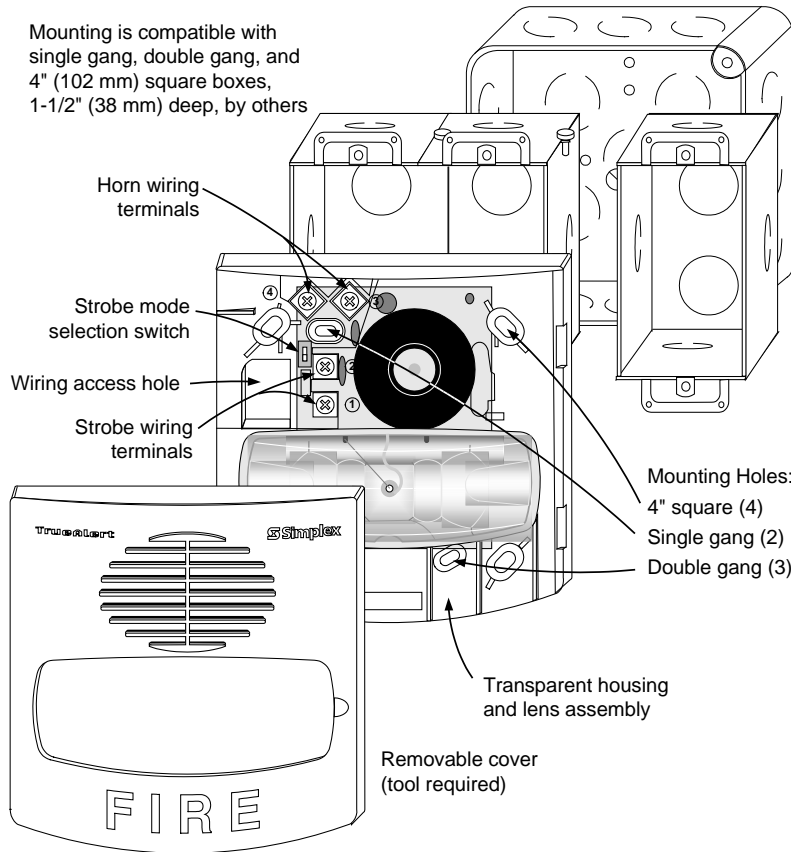
Horn Specifications

Rated Voltage Range	UL Listed Range	16 VDC to 33 VDC, see Notes 3 and 4 below					
Sound Output Characteristics	2400 to 3700 Hz sweep, modulated at 120 Hz rate						
Sound Output and Current Ratings @ 10 ft (3 m)	Voltage	16 VDC		24 VDC		33 VDC	
	Sound Type (see Note 5)	Steady	Coded	Steady	Coded	Steady	Coded
	Current	15 mA	10 mA	25 mA	15 mA	28 mA	20 mA
	Reverberant Chamber, UL 464 Test	85 dBA	82 dBA	88 dBA	84 dBA	91 dBA	87 dBA
	Anechoic Chamber	90 dBA	86 dBA	91 dBA	86 dBA	91 dBA	87 dBA

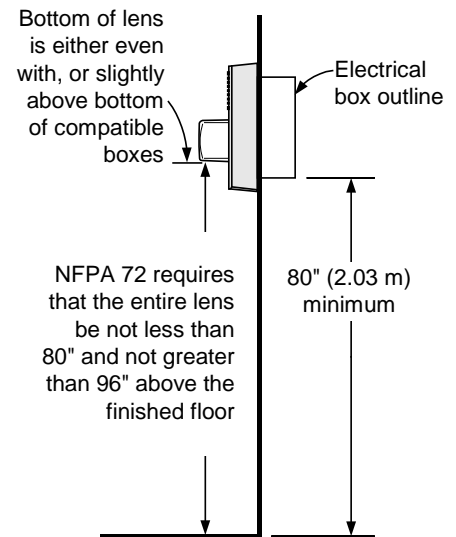
NOTES:

1. "Regulated 24 VDC" refers to the voltage range of 16 to 33 VDC per UL Standard 1971, Signaling Devices for the Hearing Impaired. This voltage range is the absolute operating range. Operation outside of this range may cause permanent damage to the appliance. Please note that 16 VDC is the lowest operating voltage that is allowed at the last appliance on the NAC under worst case conditions. The strobe of this A/V is field selectable for free-run or synchronized operation.
2. The maximum RMS current listed is the device nameplate rating. Strobe designs are constant wattage and the maximum RMS current rating occurs at the lowest allowable operating voltage. (RMS is root mean square and refers to the effective value of a varying current waveform.)
3. Terminals are provided for wiring the horn and strobe of these A/Vs to separate NACs. Operation of the horn and strobe is not separately controlled when they are both wired to the same NAC.
4. The rated voltage range listed is the absolute operating range. Operation outside of this range may cause permanent damage to the appliance. Please note that 16 VDC is the lowest operating voltage that is allowed at the last appliance on the notification appliance circuit under worst case conditions.
5. Coded values are typical of the output measured with a Temporal coded or a March Time coded pulse and with a sound level meter reading on a "fast" setting. Under the same test conditions, coded horn output "peak" sound level readings are typically 4 dBA higher.

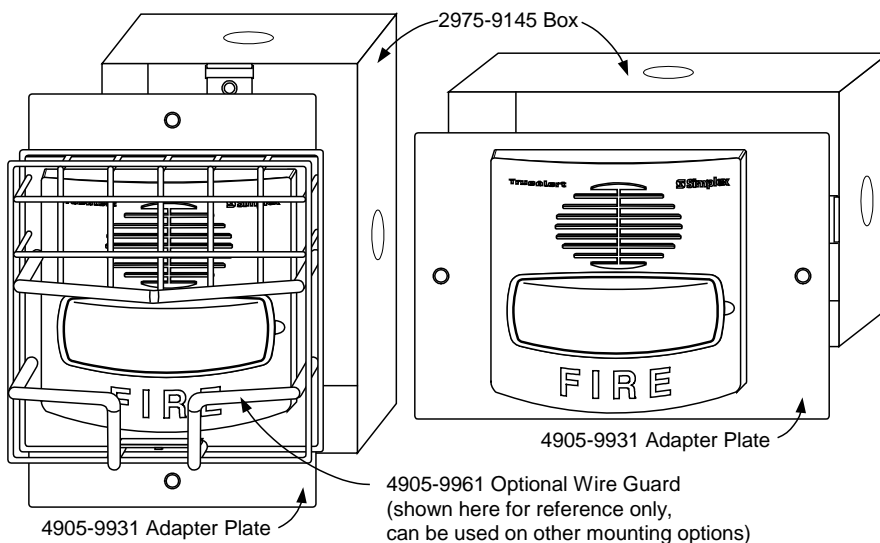
Installation Reference, Surface or Semi-Flush Mounting



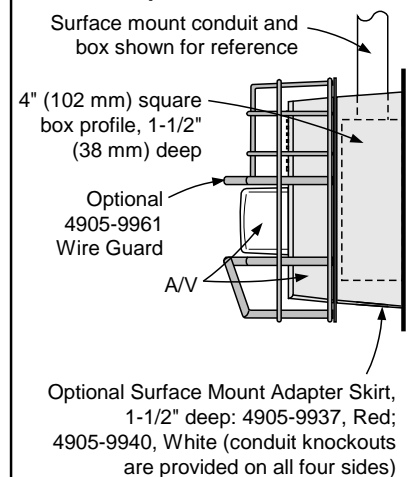
IMPORTANT! WALL MOUNT INSTALLATION HEIGHT REFERENCE



Installation Reference, Adapter Plate, Guard, and Adapter Skirt



Surface Mounting Reference with Optional Adapter Skirt and Optional Wire Guard



TYCO, SIMPLEX, and the product names listed in this material are marks and/or registered marks. Unauthorized use is strictly prohibited. NFPA 72 and National Fire Alarm and Signaling Code are trademarks of the National Fire Protection Association (NFPA).