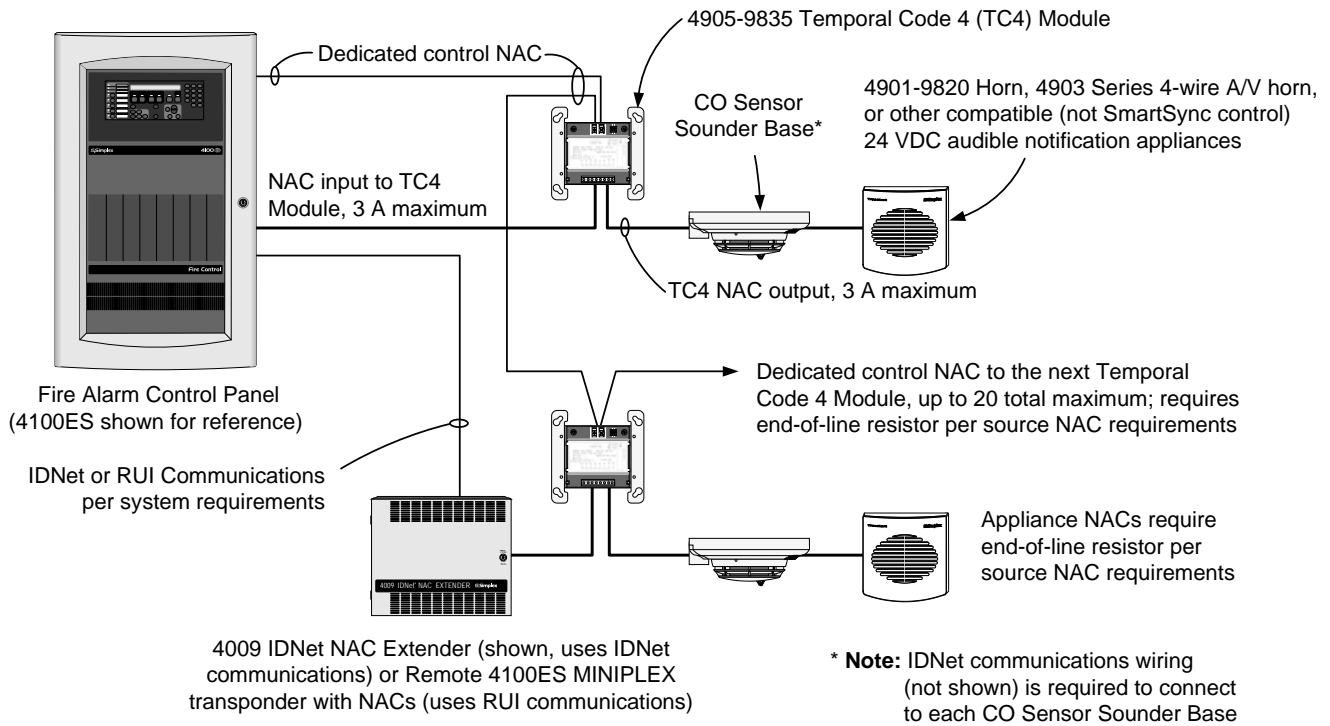


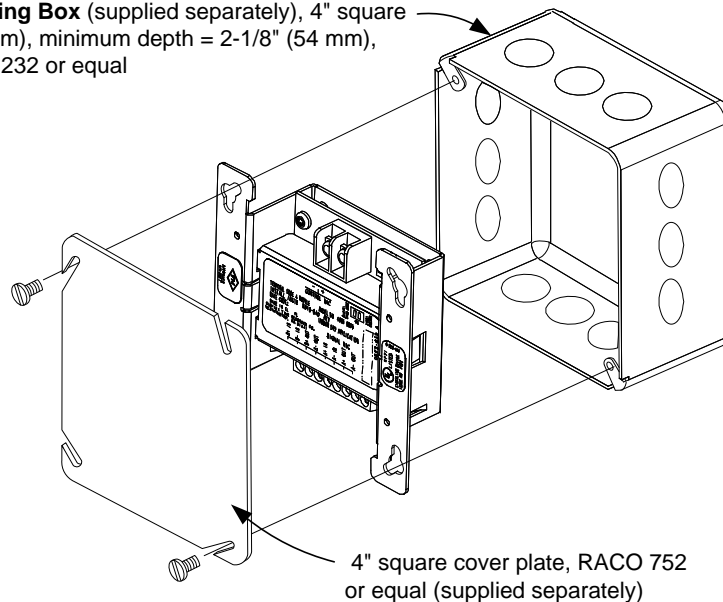


## System Connection Reference



## Mounting Reference

**Mounting Box** (supplied separately), 4" square (102 mm), minimum depth = 2-1/8" (54 mm), RACO 232 or equal



## Additional Reference

Document	Description	Document	Description
579-840	Installation Instructions	S4010-0004	4010ES Control Panel
S4098-0052	CO Sensor Base data sheet	S4901-0010	4901-9820 Horns
S4100-0031	4100ES Basic Reference	S4903-0011	4903 Series 4-wire A/Vs
S4007-0001	4007ES Hybrid data sheet	S49CMT-0001	49CMT Series Multi-Tone Horns

TYCO, SIMPLEX, and the product names listed in this material are marks and/or registered marks. Unauthorized use is strictly prohibited. NFPA is a trademark of the National Fire Protection Association.