



Features

Isolator+ modules provide short circuit isolation for TrueAlert addressable notification appliance wiring.**

- Power and communications are supplied by Simplex® 4100ES, 4010ES, and 4007ES fire alarm control panels equipped with power supplies that provide advanced addressable notification from **IDNAC** Signaling Line Circuits (SLCs), and from 4009 IDNAC Repeaters**
- Operation is also compatible with legacy TrueAlert SLCs from TrueAlert Power Supplies (TPS) or TrueAlert Addressable Controllers (4009T)
- Dual port design accepts communications and power from either port and automatically isolates one port from the other when a short circuit occurs
- Mounts in standard 4" (102 mm) square electrical box, 2 1/8" (54 mm) deep
- UL listed to Standard 864

Status diagnostics:

- On-board yellow LED provides module status, can indicate communications poll or be activated from panel
- Isolators report faults to the host control panel (method varies with system connection type)

Information received at the control panel allows identification of the short circuit location:

- Simplex control panels providing IDNAC SLCs will be advised of *individual* appliances disabled due to activated isolators; (also true of legacy panels with TPS or when connected to TrueAlert Addressable Controller using RUI communications)
- Other control panels controlling TrueAlert Addressable Controllers do not recognize appliance addresses but will receive a report of an open circuit channel trouble due to activated isolators

Class B (Style 4) IDNAC SLC wiring:

- Up to 12 Isolator+ modules can be connected per IDNAC SLC and up to 6 Isolator+ modules can be connected directly together in series on the same branch

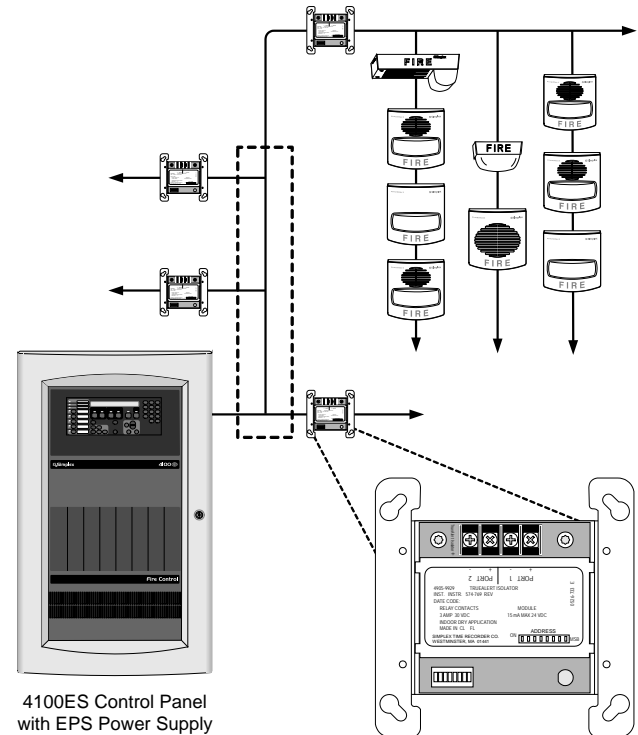
Class A (Style 6) IDNAC SLC wiring:

- For Class A operation, up to 6 Isolator+ modules can be connected per SLC loop

General channel loading rules:

- Isolator+ modules require one address and are rated as 4 unit loads
- TrueAlert addressable notification appliances are a single unit load

** Use of "TrueAlert" in this document refers to both TrueAlert and TrueAlert ES notification appliances. Use of IDNAC SLCs also refers to operation of TrueAlert SLCs.



Typical TrueAlert Isolator+ Module Application
One-Line Drawing Including Module Detail

Introduction

IDNAC Addressable Notification SLCs (and legacy TrueAlert SLCs) are internally isolated from each other. In the event of a channel wiring short circuit, the channel will safely shut down and then monitor the wiring for restoration to normal when the short is repaired. However, within the branch and "T" tap wiring of an IDNAC channel, the use of 4905-9929 TrueAlert Isolator+ Modules can provide additional isolation that can reduce the quantity of TrueAlert addressable appliances impacted by a short circuit.

Short Circuit Isolation. An internal isolation relay allows the Isolator+ module to separate shorted and/or disabled wiring from functioning wiring to optimize the available appliances. Isolator+ module status is communicated to the control panel providing assistance in identifying the shorted wiring location.

Convenient Location. The 4905-9929 Isolator+ Module mounts in a standard 4" square, 2 1/8" deep electrical box, allowing isolators to be conveniently located on the IDNAC SLC channel where the local wiring could most benefit.

* This product has been approved by the California State Fire Marshal (CSFM) pursuant to Section 13144.1 of the California Health and Safety Code. See CSFM Listing 7300-0026:214 for allowable values and/or conditions concerning material presented in this document. Accepted for use – City of New York Department of Buildings – MEA35-93E. Additional listings may be applicable; contact your local Simplex product supplier for the latest status. Listings and approvals under Simplex Time Recorder Co. are the property of Tyco Safety Products Westminster.

TrueAlert Isolator+ Example 1

Branch Protection. The diagram below illustrates the addition of 4905-9929 Isolator+ Modules to IDNAC SLC wiring located at the start of each branch. With Isolator+ modules added in these locations, there will be an increase in overall system operation in the event of a short circuit.

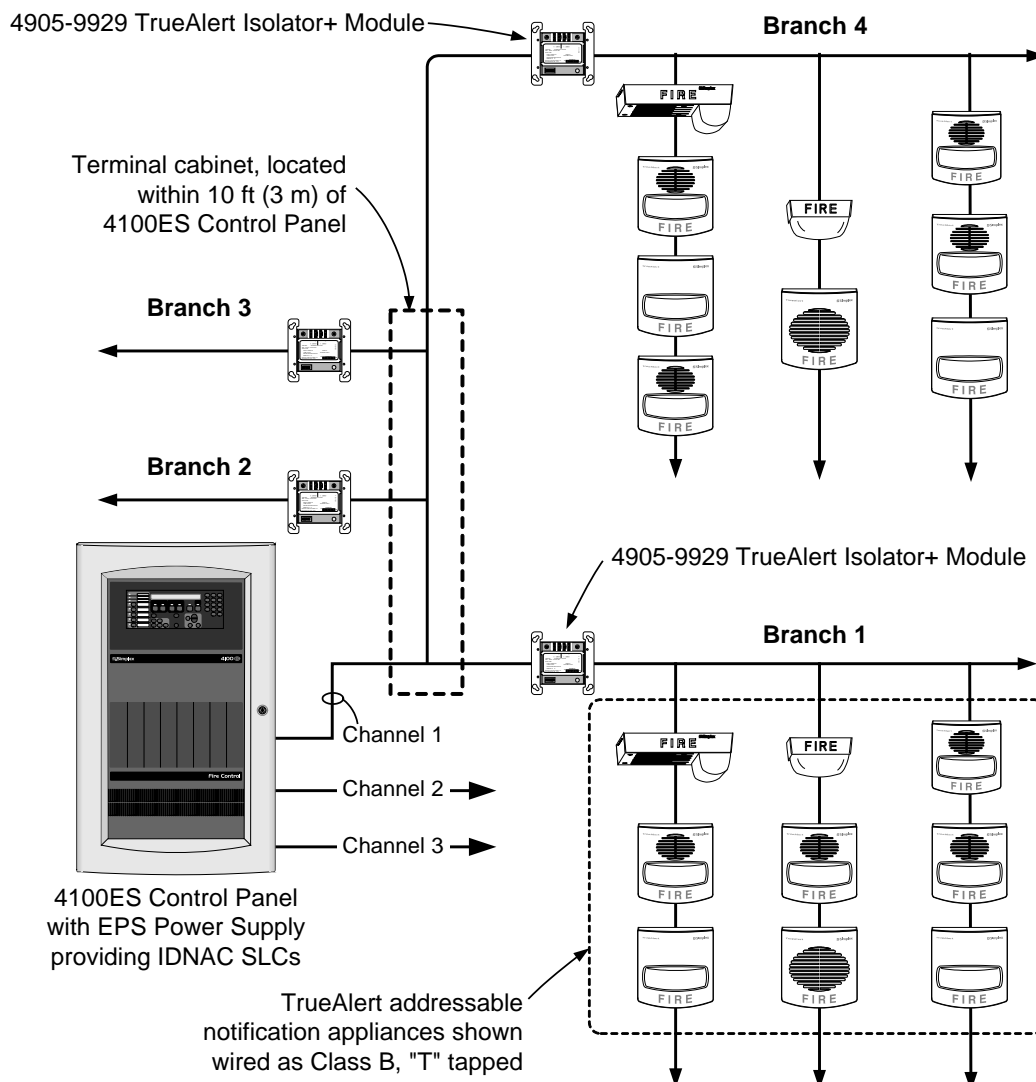
Branch Short Circuits. Without Isolator+ modules, if a short circuit occurred on a branch connection, the entire channel would be inoperative, the same as occurs with conventional Notification Appliance Circuit (NAC) operation. With the addition of Isolator+ modules, short circuits would only disable those appliances connected electrically beyond the Isolator+ module. Since short circuits are sometimes encountered during initial wiring installations, the use of Isolator+ modules can also assist in finding those wiring faults, allowing a decrease in the total installation and checkout time.

Address Allocation. For the example shown below, there are 18 notification appliances which would occupy a total of 18 addresses at the 4100ES control panel. There are also 4 Isolator+ modules, each requiring an address. The total addresses count on this IDNAC SLC would be $18 + 4 = 22$ addresses.

SLC Loading. Isolator+ modules are powered from the IDNAC SLC and they require an additional loading factor with each Isolator+ designated as four unit loads. Each TrueAlert addressable appliance, whether strobe, horn, or combination unit, is only one address and only one unit load. The total unit loads for this example is 18 appliances + 4 Isolator+ modules (4 unit loads each) = $18 + 16 = 34$ unit loads.

Channel Capacity. Capacity may vary with IDNAC SLC control, but typically is up to 127 addresses and up to 139 unit loads. This example is not fully loaded and could probably accommodate additional appliances. However, the appliance currents also need to be considered. (EPS IDNAC SLCs and legacy TPS SLCs are rated 3 A full load. TrueAlert Addressable Controller channels are rated 2.5 A full load.)

TrueAlert Isolator+ Example 1, One-Line Diagram Showing Individual Branch Protection



TrueAlert Isolator+ Example 2

“T” Tap Level Isolation. The one-line diagram directly below shows Isolator+ modules located at the start of each “T” tap on a single branch of a single IDNAC SLC, all wired Class B (Style 4). With this approach, each tap is isolated from short circuits that may occur out on the other taps.

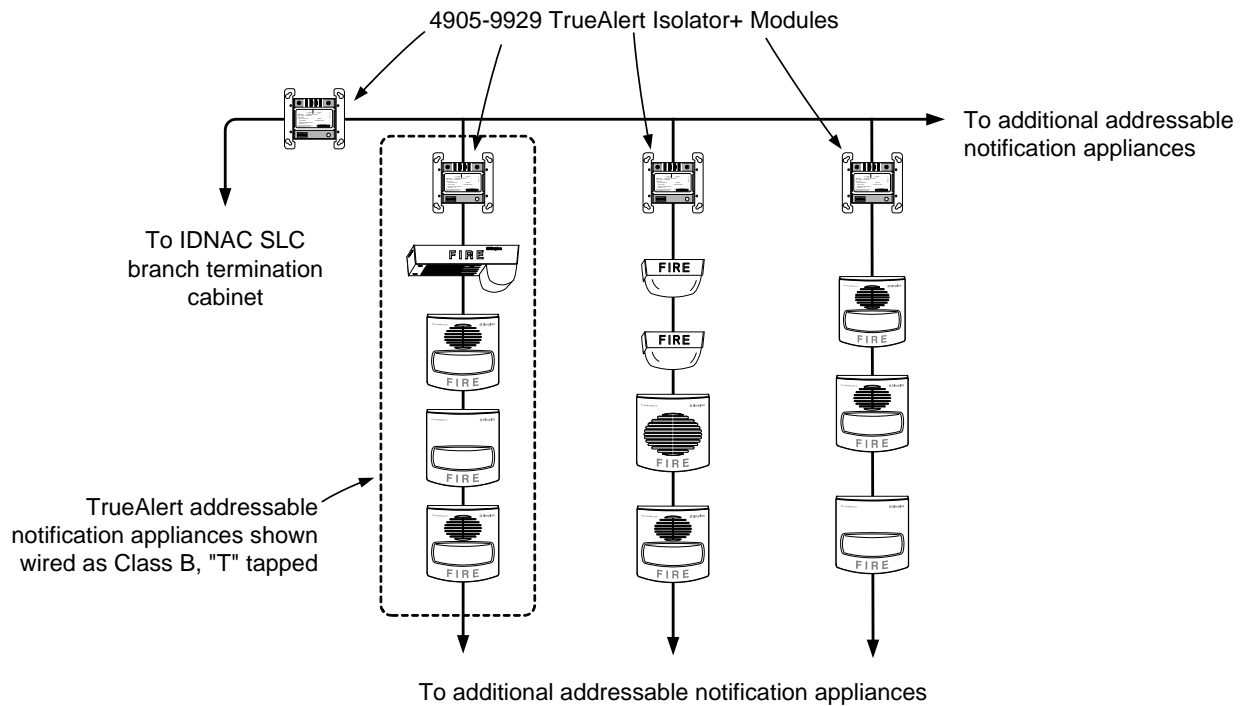
Channel Loading. Total addresses: 15. Total unit loads: 11 appliances + 4 Isolator+ modules (4 unit loads each) = 11 + 16 = 27 unit loads.

TrueAlert Isolator+ Example 3

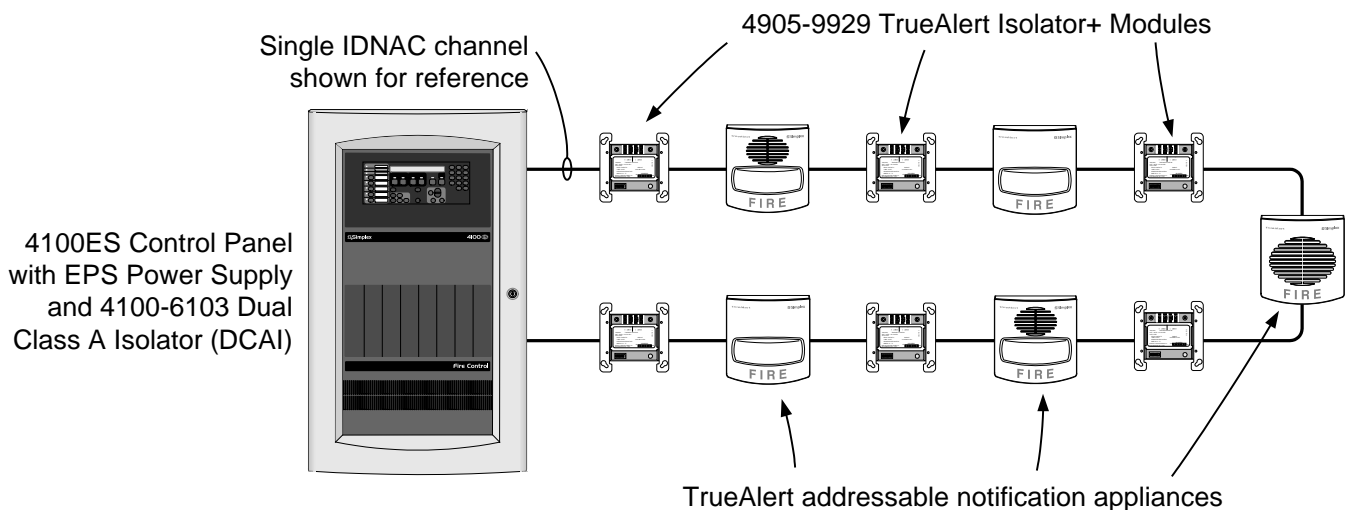
Class A Wiring Isolation. Example 3 (at the bottom of this page) illustrates an “optimized” Class A (Style 6) IDNAC SLC with each notification appliance connected between an Isolator+ module. With this connection, a single short circuit between Isolator+ modules would only disable one TrueAlert notification appliance. (Please note that Isolator+ modules can be applied as desired, the configuration shown is to illustrate operation and is not required.)

Channel Loading. Total addresses = 11. Total unit loads = 5 appliances + 6 Isolator+ modules (4 units loads each) = 5 + 24 = 29 unit loads.

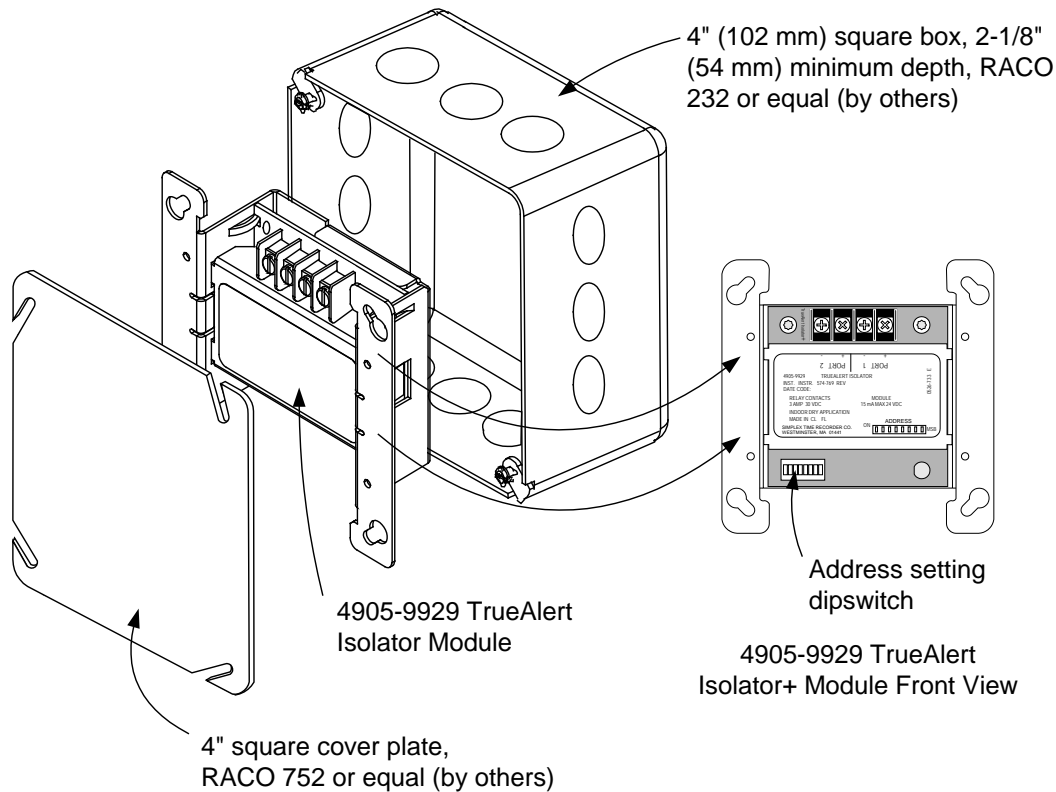
TrueAlert Isolator+ Example 2, One-Line Diagram Showing Individual “T” Tap Protection



TrueAlert Isolator+ Example 3, One-Line Diagram Showing Class A/Style 6 with Isolators



TrueAlert Isolator+ Mounting Information



Specifications

Electrical

Isolated Circuit Wire Resistance	1.5 Ω maximum, measured from any Isolator+ port to the farthest appliance in the protected segment
Voltage Range	18 to 32 VDC, provided from TrueAlert channel
Current, Isolated Mode	10 mA @ 24 VDC
Address Requirements	1 Address per Isolator+ Module
Unit Load Requirements	4 Unit loads per Isolator+ Module (1 unit load = 0.8 mA control panel current)

IDNAC SLC Loading

Class B	Up to 12 Isolator+ modules total with up to 6 being connected directly together in series on the same branch
Class A	Up to 6 Isolator+ modules total on the loop

Mechanical

Dimensions	4 1/8" H x 4 1/8" W x 1 3/8" D (105 mm x 105 mm x 35 mm)
Housing Material	Black thermoplastic
Mounting Plate Material	Sheet metal, galvanized
Temperature Range	32° to 120° F (0° to 49° C) intended for indoor operation
Humidity Range	Up to 93% RH at 100° F (38° C)
Wiring Connections	Screw terminals for 18 to 12 AWG (0.82 mm ² to 3.31 mm ²)

Reference

Installation Instructions	574-769	
Panel Data Sheets	4100ES with EPS	S4100-0100
	4010ES with ESS	S4010-0011
	4007ES with IDNAC SLCs	S4007-0002
	4009 IDNAC Repeater	S4009-0004

TYCO, SIMPLEX, and the product names listed in this material are marks and/or registered marks. Unauthorized use is strictly prohibited.



Tyco Fire Protection Products • Westminister, MA • 01441-0001 • USA
www.simplex-fire.com

S4905-0001-7 6/2015

© 2015 Tyco Fire Protection Products. All rights reserved. All specifications and other information shown were current as of document revision date and are subject to change without notice.