

Features**24 VDC high intensity notification appliance common features:**

- Xenon strobe with intensity selectable as 135, 177, or 185 candela; visible selection jumper is secured behind strobe housing
- Regulated circuit design ensures consistent flash output and provides controlled inrush current
- Control is compatible with Simplex® SmartSync two-wire operation
- Operation is compatible with ADA requirements (refer to important installation information on page 3)
- Rugged, high impact, flame retardant thermoplastic housings available in red or white with clear lens
- Models are available for wall or ceiling mount
- Strobe operation is UL listed to Standard 1971

Appliances with audible notification (horn):

- Low current electronic horn with harmonically rich sound output suitable for either steady or coded operation (Temporal or 60 BPM March Time pattern)
- Horn operation is UL listed to Standard 464

Strobes provide synchronized flash for use with:

- Simplex fire alarm control panels and NAC Extenders when selected to provide strobe synchronization or SmartSync two-wire control
- Separate strobe Synchronization Modules or SmartSync Control Modules (SCMs) that convert conventional NAC inputs to a SmartSync output

SmartSync two-wire operation provides:

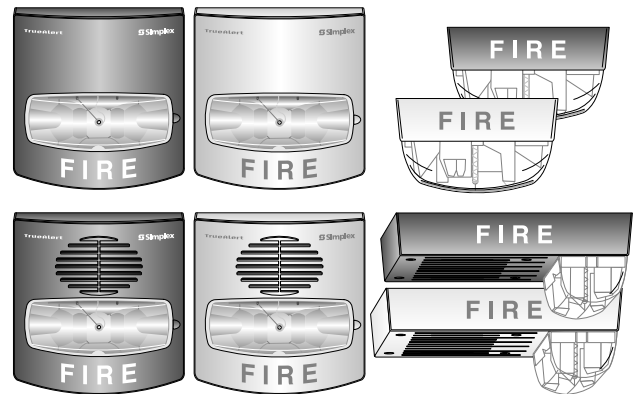
- Horns controlled separately from strobes on the same two-wire circuit, activated as Temporal pattern, March Time pattern (at 60 BPM), or on continuously

Wall mount appliance features:

- Wiring terminals are accessible from the front of the housing providing easy access for installation, inspection, and testing
- Covers are available separately to convert housing color
- A/V models have an available UL listed sound damper for locations requiring attenuation of 5 to 6 dBA (stairwells, small rooms, highly reverberant areas, etc.)

Optional adapters and wire guards:

- Wall mount A/V adapters are available to cover surface mounted electrical boxes and to adapt to Simplex 2975-9145 boxes
- UL listed red wire guards are available for wall or ceiling mount A/Vs



Wall and Ceiling Mount High Intensity Strobes (top) and Horn/Strobes (bottom)

Description

Convenient Selection and Installation. TrueAlert multi-candela high intensity appliances provide convenient installation to standard electrical boxes. They are both impact and vandal resistant and provide a convenient strobe intensity selection. Since each model can be selected for strobe intensity output, on-site model inventory is minimized and changes encountered during construction can be easily accommodated.

Wall Mount. Housings are a one-piece assembly (including lens) that mounts to a single or double gang, or 4" square standard electrical box. The cover can be quickly removed (a tool is required) and covers are available separately for color conversion.

Ceiling Mount. Strobe appliances install using standard single gang electrical boxes. Horn/strobe appliances install using standard 4" electrical boxes. Color choice is determined by model number.

Strobe Intensity Selection

During installation, a selection plug at the back of the housing determines the desired strobe intensity. An attached flag with black letters on a highly visible yellow background allows the selected intensity to be seen at the side of the strobe lens.

Strobe Application Selection

Proper selection of visible notification is dependent on occupancy, location, local codes, and proper applications of: the *National Fire Alarm Code* (NFPA 72), ANSI A117.1; the appropriate model building code: BOCA, ICBO, or SBCCI; and the application guidelines of the Americans with Disabilities Act (ADA).

* This product has been approved by the California State Fire Marshal (CSFM) pursuant to Section 13144.1 of the California Health and Safety Code. See CSFM Listing 7125-0026:333 for allowable values and/or conditions concerning material presented in this document. Additional listings may be applicable; contact your local Simplex product supplier for the latest status. Listings and approvals under Simplex Time Recorder Co. are the property of Tyco Fire Protection Products.

SmartSync Two-Wire Control

SmartSync operation mode allows a two-wire circuit to provide the ability to activate both the horn and strobe on the same NAC and then allow the horn to be silenced while the strobe remains flashing. The horn operates as “on-until-silenced” while the strobe operation is “on-until-reset.”

SmartSync Control Sources

SmartSync two-wire control is available from:

- 4006, 4007ES Hybrid, 4008, 4010, 4010ES, 4100ES, and 4100U Fire Alarm Control Panels (refer to individual product data sheets for more information)
- 4009 IDNet NAC Extenders (refer to data sheet S4009-0002)
- SmartSync Control Module (SCM) Model 4905-9938 (refer to data sheet S4905-0003)

Product Selection

Strobe (V/O)

Model	Housing	Lettering	Mounting	Description
4906-9109	Red	White	Wall	Multi-candela strobe with intensity selectable as: 135, 177, or 185 candela; synchronized flash rate; SmartSync two-wire control compatible
4906-9111	White	Red		
4906-9110	Red	White	Ceiling	
4906-9112	White	Red		

Horn/Strobe (A/V)

Model	Housing	Lettering	Mounting	Description
4906-9139	Red	White	Wall	Horn and multi-candela strobe with intensity selectable as: 135, 177, or 185 candela; synchronized flash rate; operates with SmartSync two-wire control
4906-9141	White	Red		
4906-9140	Red	White	Ceiling	
4906-9142	White	Red		

Wall Mount Common Accessories

Model	Description	Dimensions	
4905-9937	Red	5-3/8" H x 5-1/4" W x 1-5/8" D (136 mm x 133 mm x 41 mm) depth w/strobe = 4-3/8" (111 mm)	
4905-9940	White		
4905-9931	Red Adapter Plate for mounting to Simplex 2975-9145 box (typically for retrofit, may be mounted vertical or horizontal)	8-5/16" x 5-3/4" x 0.060" Thick (211 mm x 146 mm x 1.5 mm)	
4905-9838	A/V only ; Optional Sound Damper; package of 20; field installed adhesive backed horn output attenuator; reduces output 5 to 6 dBA NOTE: After Sound Damper installation, measure sound level to ensure compliance with applicable code requirements	1-3/4" Diameter (44.5 mm) with 0.31" (8 mm) sound opening	
V/O Model	A/V Model	Description	Dimensions
4905-9992	4905-9994	Red Wall Mount Replacement cover with white "FIRE" lettering	5-1/8" H x 5" W x 1-1/2" D (130 mm x 127 mm x 38 mm)
4905-9993	4905-9995	White Wall Mount Replacement cover with red "FIRE" lettering	

Synchronization Module Reference (refer to data sheet S4905-0003 for additional information)

Model	Description	Dimensions
4905-9914	Class B	1-3/8" x 2-7/16" x 13/16" (35 mm x 62 mm x 20 mm)
4905-9922	Class A	
4905-9938	SmartSync Control Module with Class B or Class A output; mounts in 4" (102 mm) square box; refer to data sheet S4905-0003 for details	4" x 4-1/8" x 1-1/4" D (102 mm x 105 mm x 32 mm)

Wire Guards and Adapters (see page 4 for reference diagrams)

Model	Description	Dimensions
4905-9961*	A/V or V/O Wall Mount Red Wire Guard with Mounting Plate, for semi-flush or surface mounted boxes	6-1/16" H x 6-1/16" W x 3-1/8" D (154 mm x 154 mm x 79 mm)
4905-9926	V/O Ceiling Mount Red Wire Guard with Mounting Plate, for semi-flush or surface mounted boxes	6-1/8" x 4-3/8" x 2-7/8" deep (156 mm x 111 mm x 73 mm)
4905-9927*	A/V Ceiling Mount Red Wire Guard for mounting to flush mounted electrical box	8-1/2" x 6-1/8" x 3" (216 mm x 156 mm x 76 mm)
4905-9928*	Red Adapter Plate, required to mount 4905-9927 guard to <u>surface</u> mounted electrical box	9" x 7" (229 mm x 178 mm)
4905-9910	Surface Mount Adapter Plate; zinc plated; required for mounting to handy box; not needed when using 4905-9926 guard	4-7/8" x 3-1/8" x 0.060" D (124 mm x 79 mm x 1.5)
4905-9915	White	4-3/4" x 6-7/8" x 1-1/2" deep, (121 mm x 175 mm x 38 mm)
4905-9916	Red	

* UL listed by Space Age Electronics Inc.

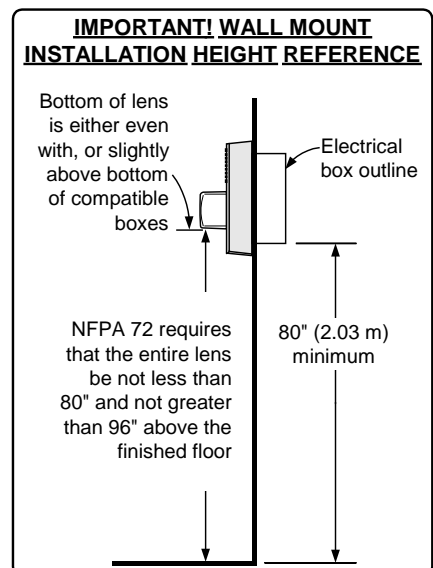
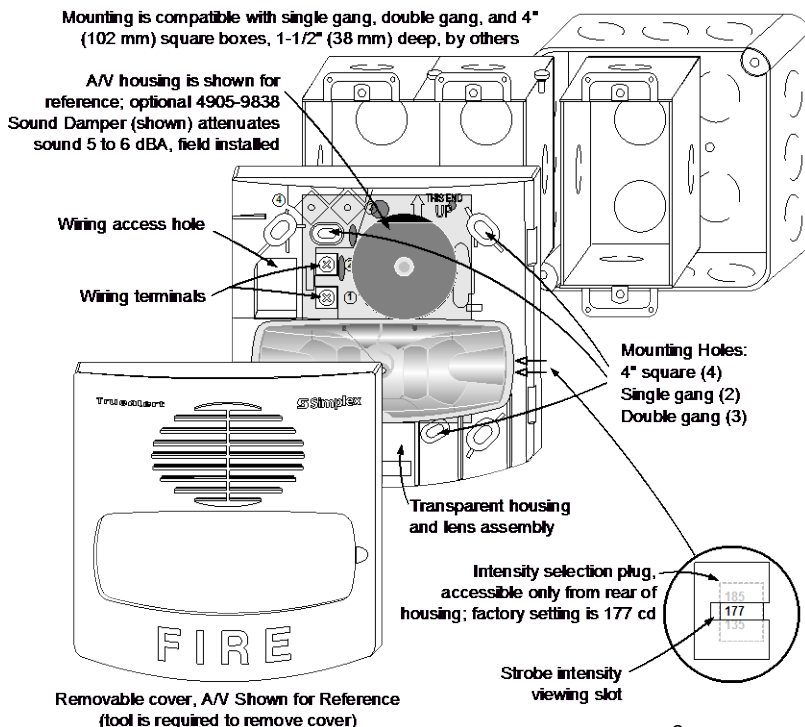
Specifications (refer to Instructions 579-859 for additional information)

Rated Voltage Range	UL Listed Rating	Regulated 24 DC; see Note 1 below						
	ULC Listed Rating	20 VDC to 30 VDC per ULC S526-M878						
Flash Rate and Synchronized NAC Loading	1 Hz; with up to 35 synchronized strobes maximum per NAC							
Environmental; Temperature and Humidity	32° to 122° F (0° to 50° C); 10% to 93%, non-condensing at 100° F (38° C)							
Screw Terminal Connections	18 AWG to 12 AWG (0.82 mm ² to 3.31 mm ²); two wires per terminal for in/out wiring							
Dimensions (with lens)	A/V and V/O Wall Mount	5-1/8" H x 5" W x 2-3/4" D (130 mm x 127 mm x 70 mm)						
	V/O Ceiling Mount	4-3/4" L x 2-5/16" W x 2-5/8" D (121 mm x 75 mm x 67 mm)						
	A/V Ceiling Mount	4-3/4" L" x 6-7/8" W x 2-5/8" D (121 mm x 175 mm x 67 mm)						
Horn Output Characteristics	2400 to 3700 Hz sweep, modulated at 120 Hz rate							
A/V Horn Ratings, dBA @ 10 ft (3 m); at 24 VDC (see Note 2)	UL 464 Reverberant Chamber	Steady Sound Output		Coded Sound Output (see Note 2)				
		Wall Mount	Ceiling Mount	Wall Mount	Ceiling Mount			
	86 dBA		87 dBA		82 dBA			
	92 dBA		93 dBA		92 dBA			
	Angular Dispersion Per ULC S525; -3 dB at 45° off-axis for both wall and ceiling mount models							
Wall Mount	Maximum RMS Current Rating per Strobe Setting (see Note 3 below)	Visible Only (V/O)			Audible/Visible (A/V)			
		135 cd	177 cd	185 cd	135 cd	177 cd	185 cd	
	314 mA		390 mA		409 mA		333 mA	
	Reference RMS Currents at other voltages	18 VDC	279 mA	347 mA	364 mA	296 mA	372 mA	385 mA
		24 VDC	209 mA	260 mA	273 mA	222 mA	279 mA	289 mA
Ceiling Mount	Maximum RMS Current Rating per Strobe Setting (see Note 3 below)	Visible Only (V/O)			Audible/Visible (A/V)			
		135 cd	177 cd	185 cd	135 cd	177 cd	185 cd	
	356 mA		431 mA		447 mA		389 mA	
	Reference RMS Currents at other voltages	18 VDC	316 mA	383 mA	397 mA	346 mA	405 mA	412 mA
		24 VDC	237 mA	287 mA	298 mA	259 mA	304 mA	309 mA

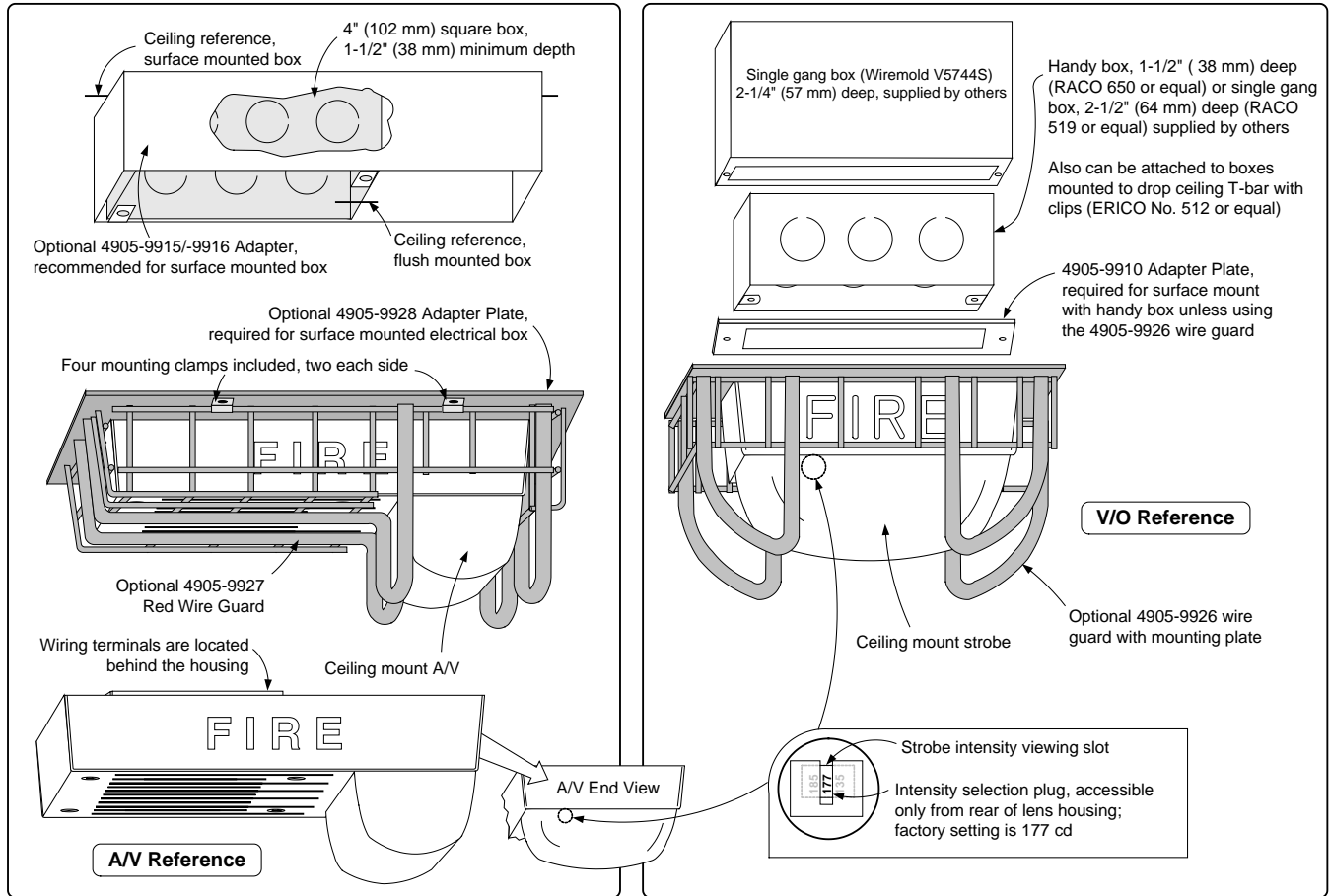
NOTES:

- "Regulated 24 DC" refers to the voltage range of 16 to 33 VDC per UL Standard 1971, *Signaling Devices for the Hearing Impaired*. This voltage range is the absolute operating range. Operation outside of this range may cause permanent damage to the appliance. Please note that 16 VDC is the lowest operating voltage that is allowed at the last appliance on the NAC under worst case conditions.
- Coded values are typical of the output measured with a Temporal pattern or a March Time coded pulse and with a sound level meter reading on a "fast" setting. Under the same test conditions, coded horn output "peak" sound level readings are typically 4 dBA higher. Anechoic horn output ratings are typically more representative of actual installed sound output.
- Currents are with horn on steady. The maximum RMS current listed is the device nameplate rating. Strobe designs are constant wattage and the maximum RMS current rating occurs at the lowest allowable operating voltage. (RMS is root mean square and refers to the effective value of a varying current waveform.)

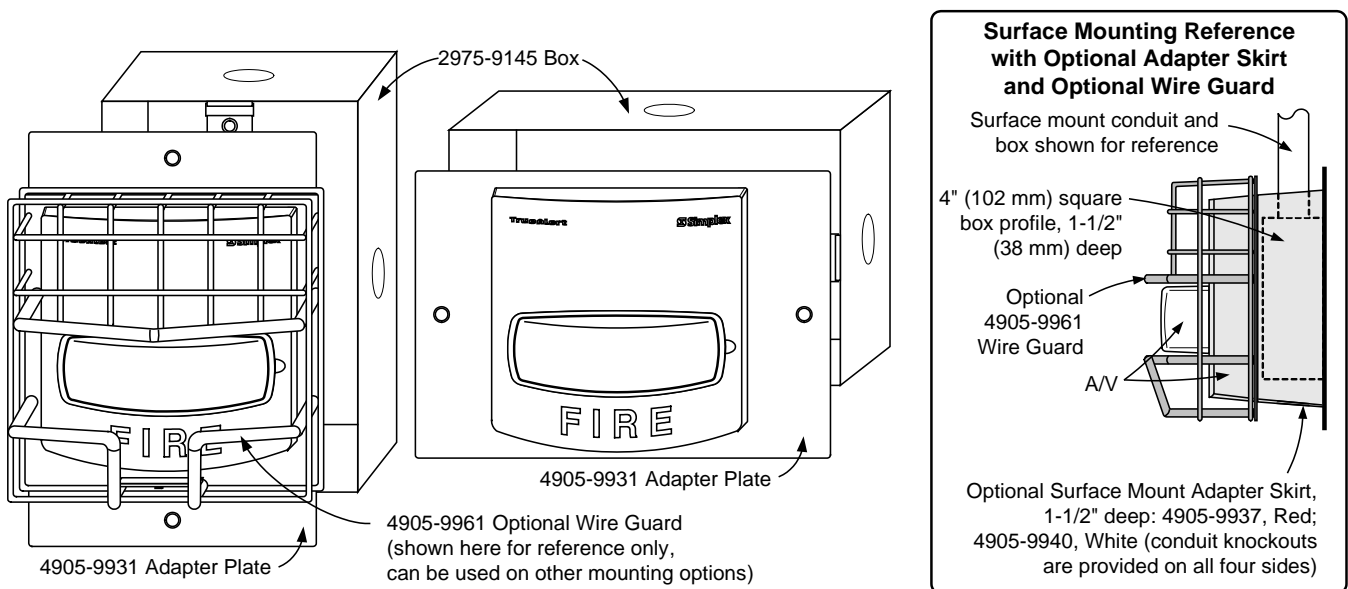
Installation Reference, Surface or Semi-Flush Mounting



Ceiling Mount High Candela Appliances Installation Reference



Wall Mount Installation Reference; Adapter Plate, Guard, and Adapter Skirt



NOTE: V/I is shown for reference, A/V mounts the same

TYCO, SIMPLEX, and the product names listed in this material are marks and/or registered marks. Unauthorized use is strictly prohibited. NFPA 72 and National Fire Alarm and Signaling Code are registered trademarks of the National Fire Protection Association (NFPA).



Tyco Fire Protection Products • Westminister, MA • 01441-0001 • USA
www.simplex-fire.com

S4906-0011-3 11/2014

© 2014 Tyco Fire Protection Products. All rights reserved. All specifications and other information shown were current as of document revision date and are subject to change without notice.