

Features**Speaker/visible (S/V) notification appliances with multi-tapped speaker and multi-tapped high intensity xenon strobe with synchronized flash:**

- Rugged, high impact, flame retardant thermoplastic housings are available for wall or ceiling mount
- Operation is compatible with ADA requirements (refer to important wall mount installation information on page 4)

Wall mount S/V features:

- Housings are available in red or white with clear lens with contrasting white or red “FIRE” lettering
- Covers are available separately to convert housing color

Ceiling mount S/V features:

- Housing is white with clear lens
- Red “FIRE” lettering is printed on two sides

Audible notification appliance (speaker):

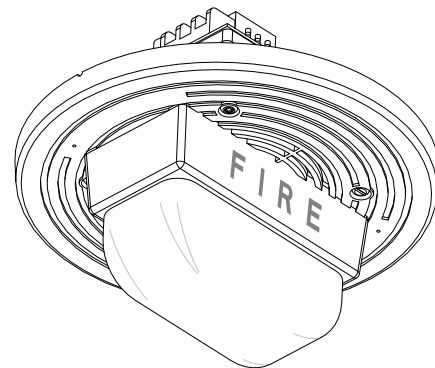
- High quality voice and tone reproduction with taps for ¼, ½, 1, or 2 W, at 25 or 70.7 VRMS
- Capacitor input for connection to supervised notification appliance circuits
- Speakers are wired separately from strobe wiring
- UL listed to Standard 1480 and ULC-S541*
- Compliant with NFPA 72, 520 Hz Low Frequency Signal Requirements for Sleeping Areas

Visible notification appliance (strobe):

- 24 VDC xenon strobe; intensity is selectable as 15, 30, 75, or 110 candela with visible selection jumper secured behind strobe housing
- Strobes are activated from NACs selected to provide Simplex® strobe synchronization signals or from separate strobe Synchronization Modules that are available for Class B or Class A operation
- Regulated circuit design ensures consistent flash output and provides controlled inrush current
- UL listed to Standard 1971 and ULC-S526*

Options for wall mounted S/Vs:

- Red or white adapters to cover surface mounted electrical boxes
- Red adapter for mounting to Simplex 2975-9145 boxes
- Red wire guard



Wall and Ceiling Mount S/Vs

Description

Multi-Candela TrueAlert S/Vs with speaker and synchronized strobe provide convenient installation to standard electrical boxes with extensions. The enclosure designs are both impact and vandal resistant and provide a convenient strobe intensity selection. Since each model can be selected for strobe intensity output, on-site model inventory is minimized and changes encountered during construction can be easily accommodated.

Wall mount S/V housings are a one-piece assembly (including lens) that mounts to a 4” square electrical box with extension (see details on page 4). The cover can be quickly removed (a tool is required) and covers are available separately for color conversion.

Ceiling mount S/Vs also install using 4” electrical boxes with an extension (see details on page 4).

Strobe Intensity Selection

During installation, a selection plug at the back of the housing determines the desired strobe intensity. An attached flag with black letters on a highly visible yellow background allows the selected intensity to be seen at the side of the strobe lens.

* See page 2 for additional listing details and wire guard listings. This product has been approved by the California State Fire Marshal (CSFM) pursuant to Section 13144.1 of the California Health and Safety Code. See CSFM Listing 7320-0026:247 for allowable values and/or conditions concerning material presented in this document. Accepted for use – City of New York Department of Buildings – MEA35-93E. Additional listings may be applicable; contact your local Simplex product supplier for the latest status. Listings and approvals under Simplex Time Recorder Co. are the property of Tyco Fire Protection Products.

Synchronized Strobes

Multiple Strobes. When multiple strobes and their reflections can be seen from one location, synchronized flashes reduce the probability of photo-sensitive reactions as well as the annoyance and possible distraction of random flashing. The multi-candela strobes of these S/Vs are activated by NACs that provide the Simplex synchronization format. For additional information, refer to data sheet S4905-0003.

Strobe Application Selection

Proper selection of visible notification is dependent on occupancy, location, local codes, and proper applications of: the *National Fire Alarm and Signaling Code* (NFPA 72), ANSI A117.1; the appropriate model building code: BOCA, ICBO, or SBCCI; and the application guidelines of the Americans with Disabilities Act (ADA).

Product Selection

Wall Mount Multi-Candela S/Vs

Model	Housing Color	"FIRE" Lettering	Listings	Description	Housing Dimensions with Lens
4906-9151	Red	White	UL & ULC	Multi-tapped Speaker with Multi-Candela Synchronized Strobe; strobe intensity selectable as: 15, 30, 75, or 110 candela	7 ¼" H x 5" W x 2 ⅝" D (184 mm x 127 mm x 67 mm)
4906-9153	White	Red			

Ceiling Mount Multi-Candela S/V

Model	Housing Color	"FIRE" Lettering	Listings	Description	Dimensions
4906-9154	White	Red	UL	Multi-tapped Speaker with Multi-Candela Synchronized Strobe; strobe intensity selectable as: 15, 30, 75, or 110 candela	Housing = 7 ½" (191 mm) diameter, ½" (13 mm) deep Strobe lens protrusion = 2 ⅝" (67 mm) above speaker housing Depth into box = 2 ¾" (70 mm)
4906-9157	White	Red	ULC		

Wall Mount S/V Adapters

Model	Description	Dimensions
4905-9946	Surface mount red adapter skirt	7 ¾" H x 5 ⅝" W x 3 ⅜" D (197 mm x 137 mm x 81 mm) depth with S/V = 5 ⅞" (149 mm)
4905-9947	Surface mount white adapter skirt	
4905-9903	Adapter Plate, red, required to mount S/V on 2975-9145	8 ⅝" H x 5 ¾" W x 0.060" Thick (211 mm x 146 mm x 1.5 mm)
2975-9145	Mounting box, red, for surface or flush mount, requires adapter plate 4905-9903 (this box may be available for retrofit applications)	7 ⅞" H x 5 ⅛" W x 2 ¼" D (200 mm x 130 mm x 70 mm)

Wall Mount S/V Replacement Covers

Model	Description	Dimensions
4905-9996	Red S/V cover with white "FIRE" lettering	7 ¼" H x 5" W x 1 ⅝" D (184 mm x 127 mm x 35 mm)
4905-9997	White S/V cover with red "FIRE" lettering	

Synchronized Flash Control Modules

Model	Description	Dimensions
4905-9914*	Synchronized Flash Module, Class B operation	1 ⅜" W x 2 ⅞" L x 1 ⅜" H (35 mm x 62 mm x 20 mm)
4905-9922*	Synchronized Flash Module, Class A operation	

Wall Mount S/V Wire Guard

Model	Description	Dimensions
4905-9998	Wire guard with mounting plate, red, compatible with surface and semi-flush boxes (UL listed by Space Age Electronics Inc.)	8 ⅝" H x 6 ⅝" W x 3 ¼" D (213 mm x 154 mm x 79 mm)

Ceiling Mount Tile Bridge

Model	Description	Dimensions
2905-9946	Tile Bridge	See diagram on page 4

* Refer to data sheet S4905-0003 for additional flash control module information

S/V Specifications

Common Specifications	Environmental	32° to 122° F (0° to 50° C); 10% to 93%, non-condensing at 100° F (38° C)
	Connections	Terminal blocks for 18 AWG to 12 AWG (0.82 mm ² to 3.31 mm ²); two wires per terminal for in/out wiring

Speaker Specifications

Input Voltage	25 or 70.7 VRMS, see Note 1 below	
Power Taps	¼, ½, 1, and 2 W	
Frequency Response	Fire Alarm	400 to 4000 Hz
	General Signaling	125 to 12 kHz

		Wattage Tap	¼ W	½ W	1 W	2 W
Speaker Output Ratings @ 10 ft (3 m) (see Note 1 below)	UL Listed Models, Reverberant Chamber Test, per UL 1480		76 dBA	79 dBA	82 dBA	85 dBA
	Wall Mount Models 4906-9151 and 4906-9153 , Anechoic Chamber Test, per ULC-S541		77 dBA	80 dBA	83 dBA	86 dBA*
	Ceiling Mount Model 4906-9157 , per ULC-S541	25 VRMS Input	81.6 dBA	84.3 dBA	87.1 dBA*	89.7 dBA*
70.7 VRMS Input		80.9 dBA	84.1 dBA	87.3 dBA*	90.2 dBA*	

* NOTE: Select taps as indicated to satisfy the ULC fire alarm applications requirement of 85 dBA minimum

Polar Dispersion Reference (per ULC-S541 Anechoic Chamber Testing)	Attenuation	Angle	Attenuation	Angle
		-3 dB	+/- 30° off-axis	-6 dB

Strobe Specifications

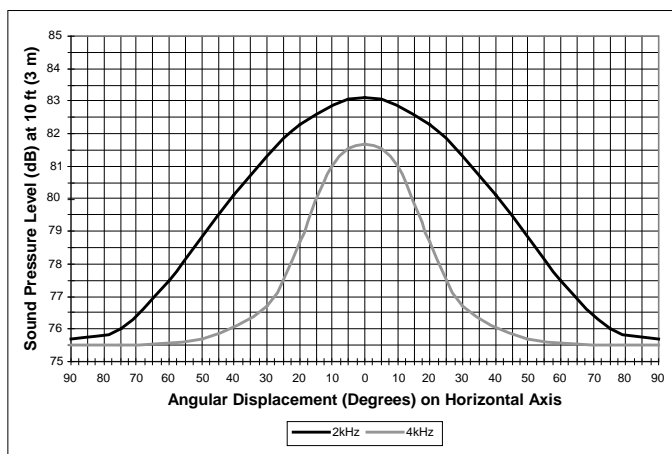
Rated Voltage Range	Regulated 24 VDC; 16 VDC to 33 VDC, see Note 2 below
Flash Rate and Synchronized NAC Loading	1 Hz; with up to 35 synchronized strobes maximum per NAC

Wall Mount	Housing Dimensions (with lens)	7 ¼" H x 5" W x 2 ⅝" D (184 mm x 127 mm x 67 mm)				
	Maximum RMS Current Rating per Strobe Setting		15 cd	30 cd	75 cd	110 cd
			60 mA	94 mA	186 mA	252 mA
Reference RMS Currents at other voltages	18 VDC	53 mA	84 mA	165 mA	224 mA	
	24 VDC	40 mA	63 mA	124 mA	168 mA	
Ceiling Mount	Housing Dimensions	Speaker housing = 7 ½" (191 mm) diameter, ½" deep (13 mm); lens protrusion above speaker housing = 2 ⅝" (67 mm); depth into box = 2 ¾" (70 mm)				
	Maximum RMS Current Rating per Strobe Setting		15 cd	30 cd	75 cd	110 cd
			75 mA	125 mA	233 mA	316 mA
Reference RMS Currents at other voltages	18 VDC	67 mA	111 mA	207 mA	281 mA	
	24 VDC	50 mA	83 mA	155 mA	211 mA	

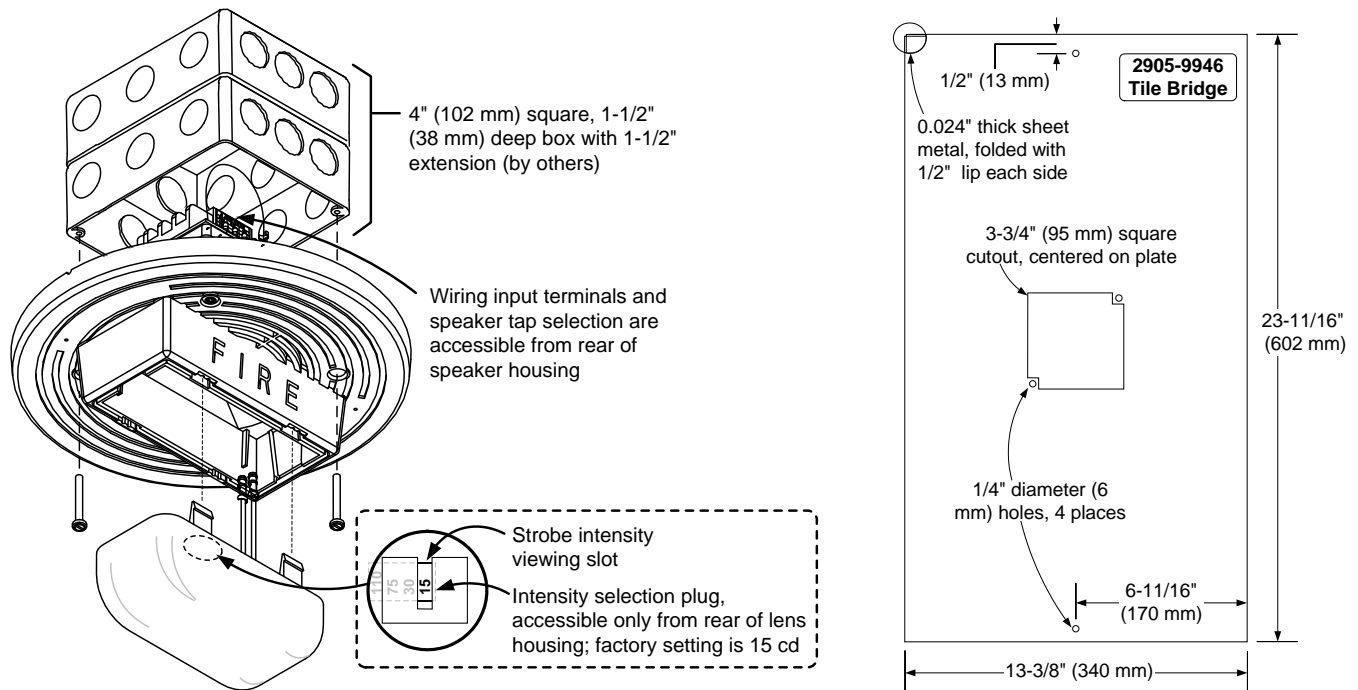
NOTES:

- Speakers are for connection to conventional fire alarm audio circuits. Anechoic speaker output ratings are typically more representative of actual installed sound output.
- The maximum RMS strobe current listed is the device nameplate rating. Strobe designs are constant wattage and the maximum RMS current rating occurs at the lowest allowable operating voltage. (RMS is root mean square and refers to the effective value of a varying current waveform.)

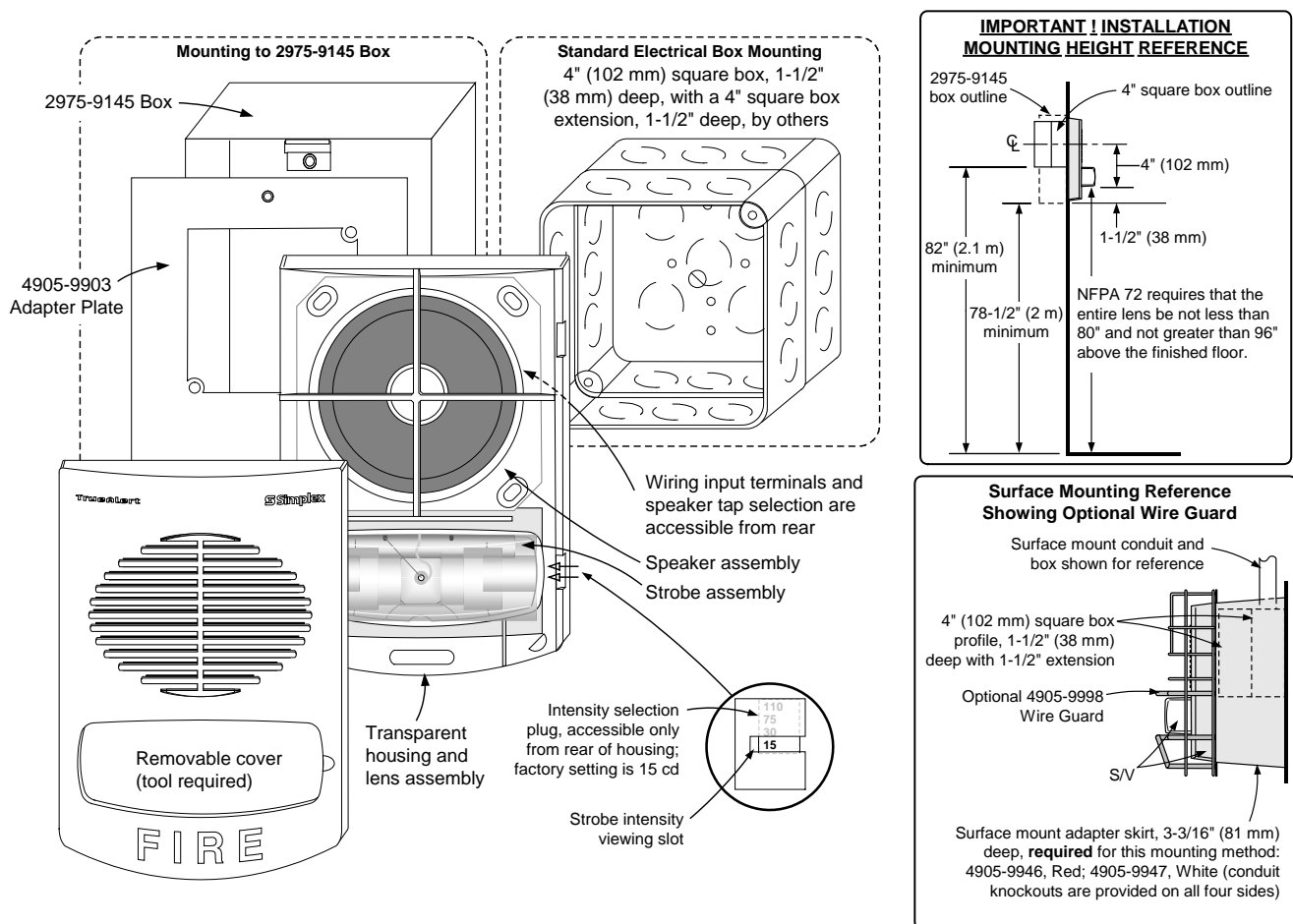
Speaker Directional Characteristics Reference



Ceiling Mount S/V Installation Reference and Tile Bridge Dimensions



Wall Mount Installation Reference



TYCO, SIMPLEX, and the product names listed in this material are marks and/or registered marks. Unauthorized use is strictly prohibited. NFPA 72 and National Fire Alarm and Signaling Code are registered trademarks of the National Fire Protection Association (NFPA).



Tyco Fire Protection Products • Westminister, MA • 01441-0001 • USA
www.simplex-fire.com

S4906-0003-8 5/2014

© 2014 Tyco Fire Protection Products. All rights reserved. All specifications and other information shown were current as of document revision date and are subject to change without notice.