

SEP-SPSWL, SEP-SPSWL-P

Dual Strobe Expander Plates

General

The new L-Series Universal Expander Plate for Dual Strobe and Dual Strobe with Speaker lowers costs and improves aesthetics by performing the functions of 2-3 devices for emergency communications applications.

Cut costs, speed installation, and improve aesthetics on emergency communications applications that require fire and emergency warnings by combining the functions of two to three devices on a single mounting plate and back box. L-Series Universal Expander Plates provide dual strobe and speaker strobe functionality that's easy for a single person to wire and install. Simply mount the plate to a junction box, attach the mounting plate, and connect the field wiring to the terminals. To complete the installation, hinge and attach the strobe or speaker strobe device with a single captured mounting screw.

The Universal Expander Plate for Dual Strobe and Dual Strobe with Speaker is designed to be used in 12 or 24 volt, DC or FWR (full wave rectified) systems. Amber lens strobes are UL 1638-Listed (Visual Signaling Appliances) for Private Mode General Utility Signaling. Clear lens strobes are UL 1971-Listed (Signaling Devices for Hearing Impaired) for Public Mode Signaling. Clear lens strobes are compatible with colored lenses for UL 1638 Private Mode General Utility Signaling. All L-Series products are suitable for use in synchronized systems. The System Sensor MDL3 module may be used to provide synchronization if the sync protocol is not native to the panel.



SEP-SPSWL Expander Plate
(as sold)



SEP-SPSWL
Expander Plate
with Horn Strobe

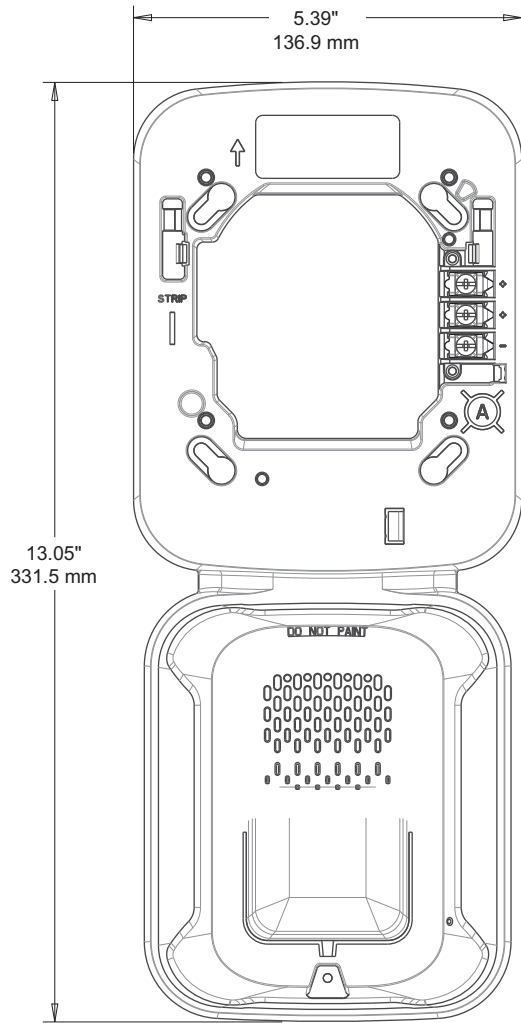


SEP-SPSWL
Expander Plate
with Speaker Strobe
and Backbox Skirt

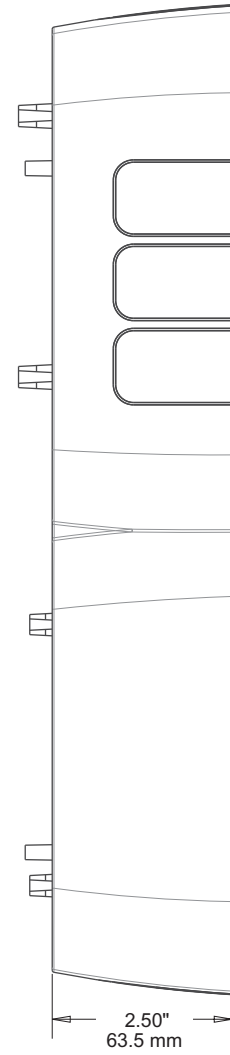
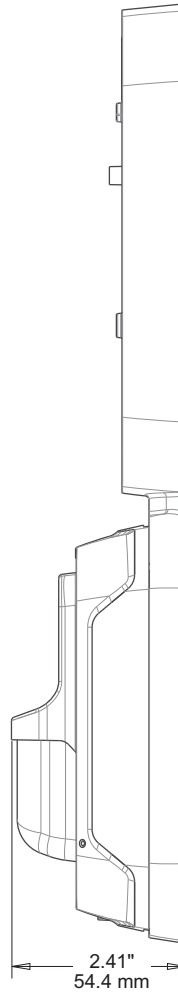
FEATURES & BENEFITS

- Available with either UL 1971-Listed clear lens strobe or UL 1638-Listed amber lens strobe
- Meets DOD specification requirements
- Field-selectable candela settings: 15, 30, 75, 95, 110, 135, 185 (refer to Equivalent Candela Rating for UL 1971 Table)
- Automatic selection of 12- or 24-volt operation at 15 and 30 candela
- Compatible with System Sensor synchronization protocol
- Optional tamper-resistant Torx head screw included
- Designed for use in 12 or 24 volt, DC or FWR systems
- Rated from 32°F to 120°F (0°C to 49°C)
- Listed for wall mounting
- SEP-SPSWL(-P) is compatible with: SPSWL, SPSWL-P, SWL, SWL-P, P2WL, P4WL
- SEP-SPSWL(-P) is compatible with colored lens kits (used over clear lenses): Lens-A2, LENS-B2, LENS-G2, LENS-R2, BZW-, BZSPW-

Dimensions

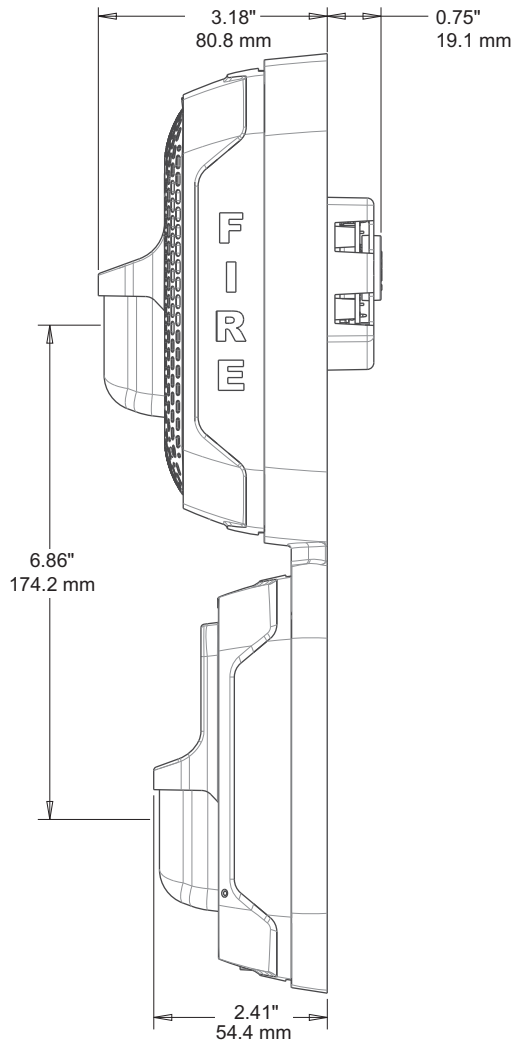


SEP-SPSWL(-P) Expander Plate

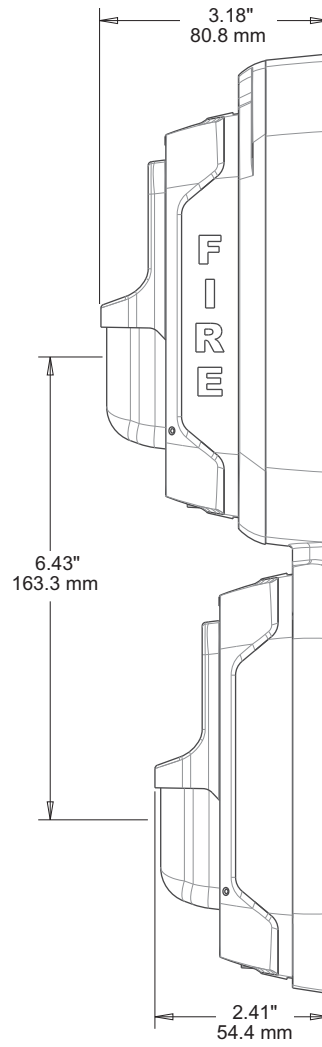


SPSEP-BBSW Backbox Skirt

A0569-00, A0571-00



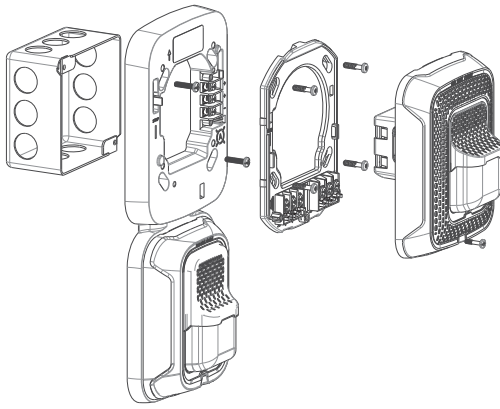
*Expander Plate With
Speaker Strobe in Upper Position*



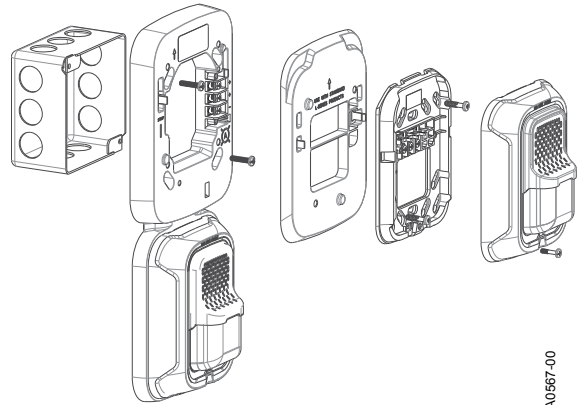
*Expander Plate With
Horn Strobe in Upper Position*

A0570-00

Flush Mounting



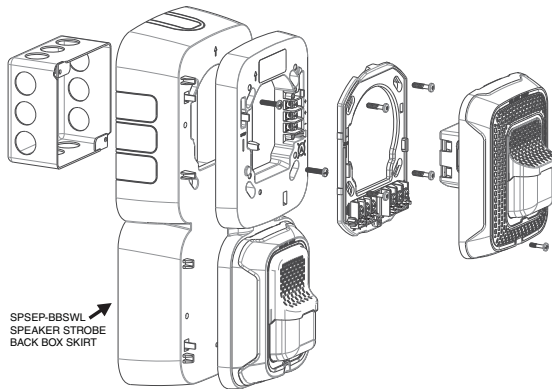
SEP-SPSWL(-P) with Flush-Mounted Speaker Strobe



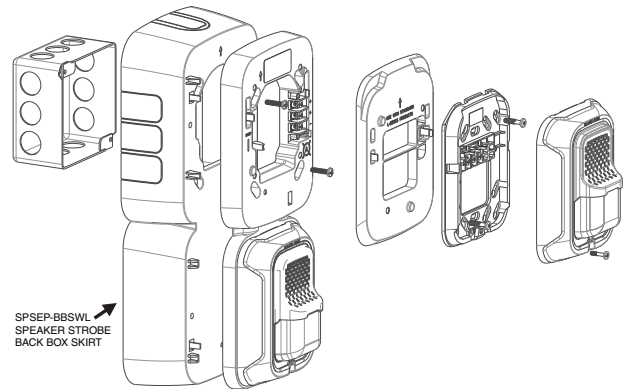
SEP-SPSWL with Flush-Mounted Horn Strobe

A0568-00, A0567-00

Surface Mounting



SEP-SPSWL(-P) with Speaker Strobe and Backbox Skirt



SEP-SPSWL(-P) with Horn Strobe and Backbox Skirt

A0565-00, A0566-00

SEP-SPSWL, SEP-SPSWL-P Technical Specifications

PHYSICAL/ELECTRICAL

Operating Temperature: 32°F to 120°F (0°C to 49°C)

Humidity Range: 10 to 93% non-condensing

Strobe Flash Rate: 1 flash per second

Nominal Voltage (strobes): Regulated 12 VDC/FWR or regulated 24 DC/FWR

Operating Voltage Range (includes fire alarm panels with built in sync): 8 to 17.5 V (12 V nominal) or 16 to 33 V (24 V nominal)

Operating Voltage with MDL3 Sync Module: 8.5 to 17.5 V (12 V nominal) or 16.5 to 33 V (24 V nominal)

Input terminal wire gauge: 12 to 18 AWG

DIMENSIONS

SEP-SPSWL(-P): L 13.05 in. (331.5 mm), W 5.39 in. (136.9 mm), D 2.41 in. (61.2 mm)

SPSEP-BBSWL: L 13.75 in. (349.3 mm), W 6.10 in. (154.9 mm), D 2.5 in. (63.5 mm)

MOUNTING BOX OPTIONS

SEP-SPSWL, SEP-SPSWL-P: 4" x 4" x 2¹/₈" or deeper

SPSEP-BBSWL: 4" x 4" x 2¹/₈"

Farenhyt® is a registered trademark of Honeywell International Inc. ©2018. All rights reserved. Unauthorized use of this document is strictly prohibited.

This document is not intended to be used for installation purposes. We try to keep our product information up-to-date and accurate. We cannot cover all specific applications or anticipate all requirements. All specifications are subject to change without notice.

UL CURRENT DRAW DATA: UL MAX. STROBE CURRENT DRAW (MA) FOR SEP-SWL (-P), SEP-SPSWL(-P)

STANDARD CANDELA RANGE	8 TO 17.5 VOLTS (DC)	16 TO 33 VOLTS (DC)	16 TO 33 VOLTS (FWR)
15	88	43	60
30	143	63	83
75	NA	107	136
95	NA	121	155
110	NA	148	179
135	NA	172	209
185	NA	222	257

NOTE: Products set at 15 and 30 candela automatically work on either 12 V or 24 V power supplies. The products are not listed for 12 VDC operation when set to any other candela settings.

Agency Listings

UL.: S5512

FM Approved: 3057383 (Strobes & Horn Strobes);

3057493 (Speaker Strobes); 3062113 (Amber lenses and color lens kits over clear lenses)

CSFM: 7300-1653:0511 (Expander Plates)

Product Line Information

SEP-SPSWL: Universal Expander Plate, Amber Lens, Full Candela Range, Wall-mounted, White, Alert. Compatible with all L-Series wall notification appliances.

SEP-SPSWL-P: Universal Expander Plate, Clear Lens, Full Candela Range, Wall-mounted, White, Plain. Compatible with all L-Series wall notification appliances.

SPSEP-BBSWL: Universal Expander Plate Back Box Skirt, White. Compatible with SEP-SPSWL and SEP-SPSWL-P.

Honeywell Fire Solutions

12 Clintonville Road
Northford, CT 06472-1610
203.484.7161