

## Features

### Individual Addressable Relay Module (Relay IAM):

- IDNet addressable control for use with Autocall fire alarm control panel models 4007ES, 4010ES, and 4100ES
- A single addressable point provides control and status tracking of a Form "C" contact
- Low power latching relay design allows IDNet communications to supply both data and module power
- Relay is set to OFF on initial power up and upon loss of IDNet communications

### Compact, sealed construction:

- Enclosed design minimizes dust infiltration
- Mounts in standard 4 in. (102 mm) square electrical box, optional adapter bracket is available to mount in a 4 11/16 in. (119 mm) square electrical box
- Screw terminals for wiring connections
- Visible LED flashes to indicate communications
- Optional covers are available to allow LED to be viewed after installation

### UL listed to Standard 864

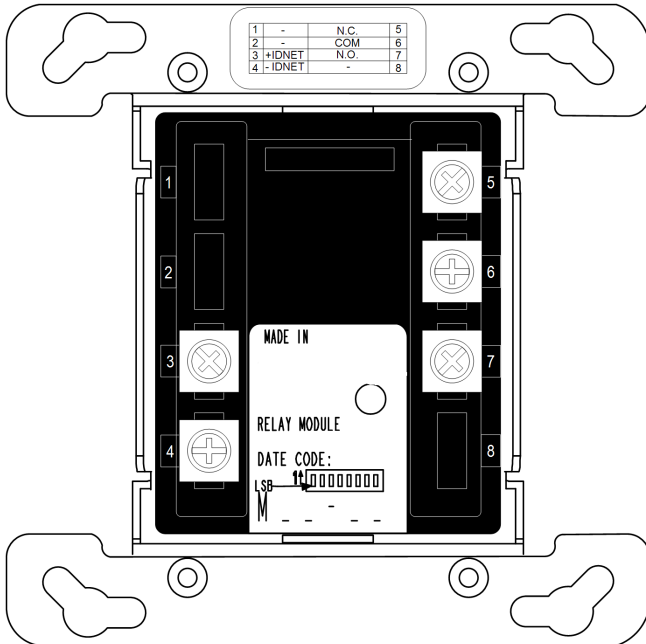


Figure 1: A4090-9002 IDNet Relay IAM Package (shown approximately 1/2 size)

## Description

**IDNet Relay IAMs** allow fire alarm control panels to control a remotely located Form "C" contact using IDNet addressable communications for both data and module power. Typical applications would be for switching local power for control functions such as elevator capture, or control of HVAC components, pressurization fans, dampers, etc. Relay status is also communicated requiring only one device address.

## Product Selection

Table 1: Product Selection

SKU	Description
A4090-9002	Relay IAM

Table 2: Optional Adapter and Trim Plates

SKU	Description	
A4090-9813	Adapter plate to fit 4 11/16 in. (119 mm) square electrical box	
A4090-9801	For semi-flush mounted box	Trim Plate, galvanized steel, with LED viewing window; includes mounting screws
A4090-9802	For surface mounted box	

## Specifications

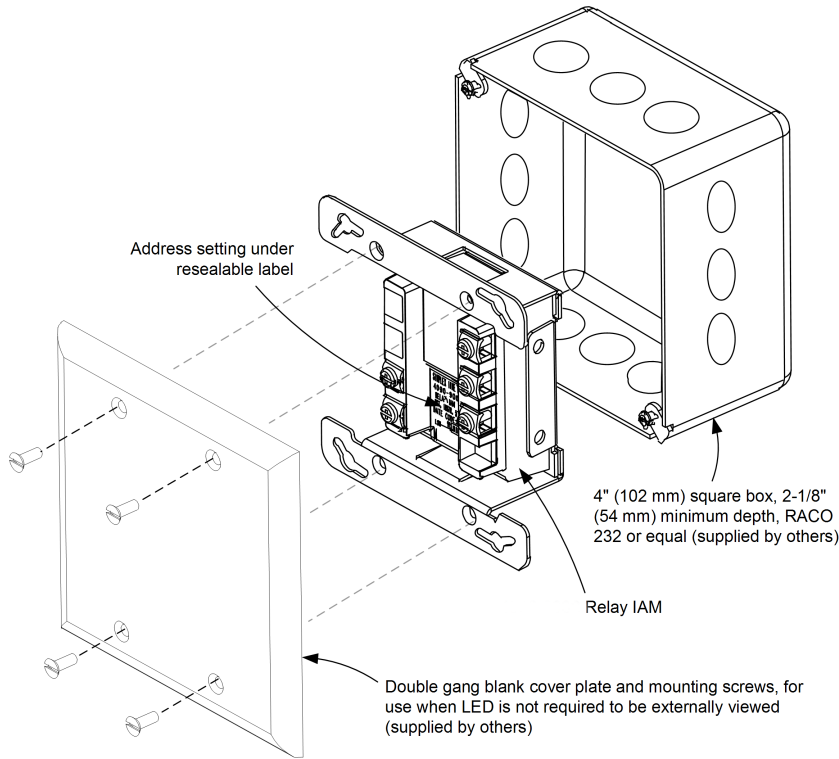
Table 3: Specifications

Specification	Rating
Communications	IDNet communications, 1 address per device
Relay IAM Power	Supplied by IDNet communications
Contact Ratings* (not rated for incandescent switching)	
Type	Form C, SPDT
Power-Limited	2 A @ 24 VDC, resistive
	1 A @ 24 VDC, inductive
Nonpower-Limited	0.5 A @ 120 VAC, resistive
* Provide circuit fusing and transient suppression as required per application. DC inductive loads can typically be diode suppressed; 120 VAC loads may require RC networks or varistors, depending on device type. Refer to the installation instructions for additional information.	
Wire Connections	Screw terminals for in/out wiring, 18 to 14 AWG wire (0.82 to 2.08 mm <sup>2</sup> )
IDNet Communications Wiring Reference	Up to 2500 ft (762 m) from control panel
	Up to 10,000 ft (3048 m) total wiring distance (including T-Taps)
	Compatible with Autocall, A2081-9044 Overvoltage Protectors
Dimensions	4 1/8 in. H x 4 1/8 in. W x 1 3/8 in. D (105 mm x 105 mm x 35 mm)
Housing Material	Black thermoplastic
Mounting Plate	Sheet metal, galvanized
Temperature Range	32° to 120° F (0° to 49° C), intended for indoor operation
Humidity Range	Up to 93% RH at 100° F (38° C)
Installation Instructions	574-184AC

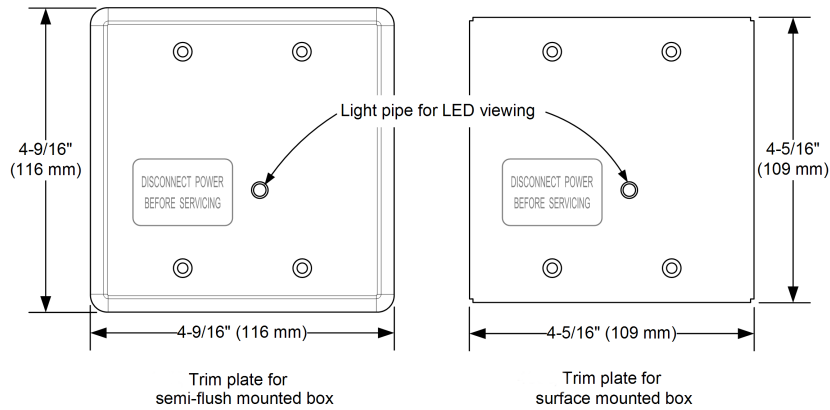
\* This product has been approved by the California State Fire Marshal (CSFM) pursuant to Section 13144.1 of the California Health and Safety Code. See CSFM Listings 7300-2269:0507 and 7300-2269:0567 for allowable values and/or conditions concerning material presented in this document. Additional listings may be applicable; contact your local product supplier for the latest status.

### Relay IAM Mounting Information

The illustration shows the mounting of the A4090-9002 Relay IAM. Also shown are the A4090-9801 trim plates for semi-flush mounted boxes and the A4090-9802 trim plate for surface mounted boxes.



**Mounting Reference, Double Gang Blank Cover Plate**



**Optional Trim Plates for Visible LED**

**Note:**

- A4090-9002 Relay IAM shown above
- A4090-9801 Trim plate for surface mounted box shown above